



# PREMIUM QUALITY LED LIGHTING



[www.noxsolis.com](http://www.noxsolis.com)

**noxsolis**™



# PREMIUM QUALITY LED LIGHTING

Noxsolis is an Australian brand specialising in premium quality LED lighting.

All products are designed to withstand the harsh Australian & Worldwide conditions through rigorous testing. Protection from water & dust ingress through to high levels of EMI protection, vibration testing UV protection ensure Noxsolis products are built to last & endure harsh conditions.

The parent company, Invision Sales, has been a leading supplier to the automotive, mining, agriculture and transport industries for over 20 years.

## Australian Aftermarket LED Product Warranty

Noxsolis LED products come with a Limited Warranty against defects in materials, components and workmanship.

This Limited Warranty is not transferable and applies to the original installation of the noxsolis LED light as long as the original consumer/purchaser owns the vehicle. Please note that this warranty does not cover claims resulting from:

- ▶ Abuse, neglect and/or accidents
- ▶ Modifications and/or alterations
- ▶ Improper installation and/or use
- ▶ Chemicals and/or cleaners
- ▶ Voltage transients and/or spikes

In the unlikely event that you experience a problem that falls within the terms of the Limited Warranty, Noxsolis will, at its discretion, either replace the defective product, or refund the purchase price of the product.

To make a warranty claim, simply return the product (along with all of the factory-issued components and proof of purchase) to Noxsolis authorized dealer –where the product was originally purchased and they will assist you with completing the claim process.

Note: Noxsolis does not cover the expense for removal or transportation of product to be claimed under this warranty statement.

This aftermarket product warranty is exclusive. Noxsolis has no other liability or obligation related to products. No other warranties are made; either expressed or implied, including without limitation, any implied warranties of title, non-infringement, merchantability or fitness for a particular purpose.

### Limited Warranty Period



Work Lights



LED lamps

Our goods come with guarantees that cannot be excluded under the Australian Consumer Law. You are entitled to a replacement or refund for a major failure and compensation for any other reasonably foreseeable loss or damage. You are also entitled to have the goods repaired or replaced if the goods fail to be of acceptable quality and the failure does not amount to a major failure.

Visit our website for your nearest Dealer  
[noxsolis.com](http://noxsolis.com)

## CONTENTS

Slimline Driving Lights 4–9

Driving Lights 10–13

Light Bars 14–19

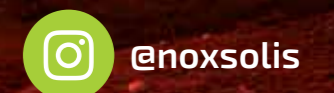
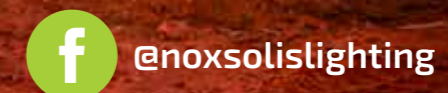
Wiring Harness & Accessories 20–21

Daytime Running Light Kits 22

Number Plate Bracket 23

Work Lights 24–33

Specialty Work Lights 34–35



# NX7SL

## LED SLIMLINE DRIVING LIGHT



7" (178mm)  
**90W**

**COMBO BEAM**

PART NUMBER  
**NX720**

RECOMMENDED  
WIRING HARNESS  
NX200



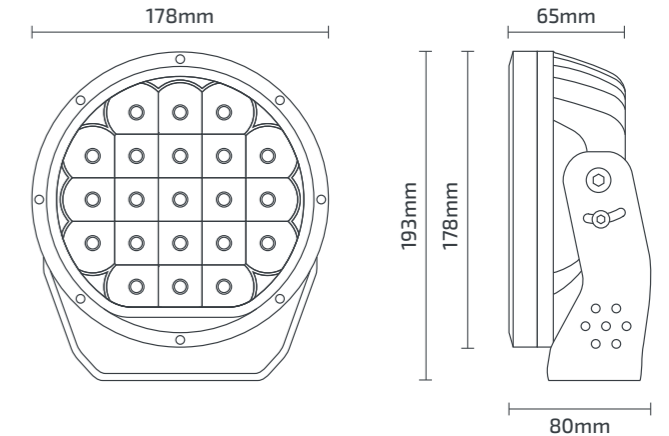
The slimline range of LED driving lights are perfect for applications where mounting space is limited. A lot of modern bull bars are quite shallow and don't allow much space for deeper, more traditional sized driving lights.

The combo beam pattern also makes them an incredibly versatile light for other applications like agricultural machinery where OEM lighting might not be adequate.

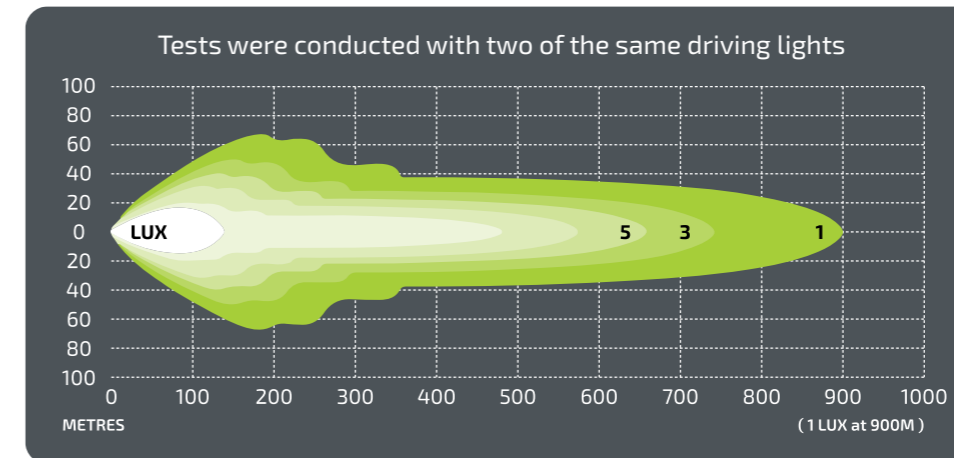
### SPECIFICATIONS (PER LIGHT)

- ▶ Raw Lumens: 6,300 (12,600 Pair)
- ▶ Colour: White Light 5700K
- ▶ Voltage: 12V - 24V
- ▶ Wattage: 90W
- ▶ Current Draw: 6.09A @ 13.8V / 3.5A @ 24V
- ▶ Wiring: 430mm to 2 Pin DT connection
- ▶ Approved to R10 EMI (radio interference)
- ▶ Waterproof IP68 & IP69K
- ▶ Weight: 1.78kg
- ▶ Kit Contents: 2 x LED Driving Lights

### DIMENSIONS



### LUX PERFORMANCE



## NX7SL 7" PROTECTIVE COVERS

Protective covers are available for the NX7SL LED Slimline Driving Light.

- ▶ Available in Clear or Black
- ▶ Pack contains 2 covers
- ▶ 1 Year Warranty



PART NUMBER  
Clear  
**NX100**

PART NUMBER  
Black  
**NX101**



# NX9SL

## LED SLIMLINE DRIVING LIGHT



9" (228mm)  
**130W**

**COMBO BEAM**

PART NUMBER  
**NX920**

RECOMMENDED  
WIRING HARNESS  
NX200



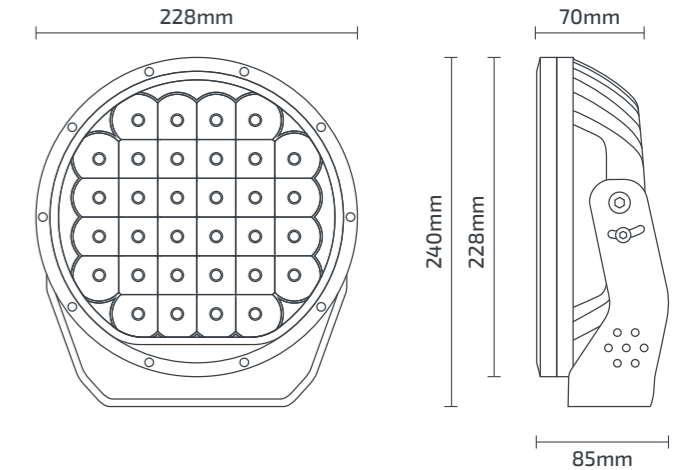
Similarly to the NX7SL, the NX9SL is a powerful solution for a wide range of lighting applications. With 19,200 lumens for the pair and a beam pattern of 1 lux at 1km, there's really no situation this light can't handle.

This product has been a high performer in the trucking, 4x4 and agricultural industries since its introduction due to the incredible value for money for a light that features such a high performing beam pattern and has superior build quality.

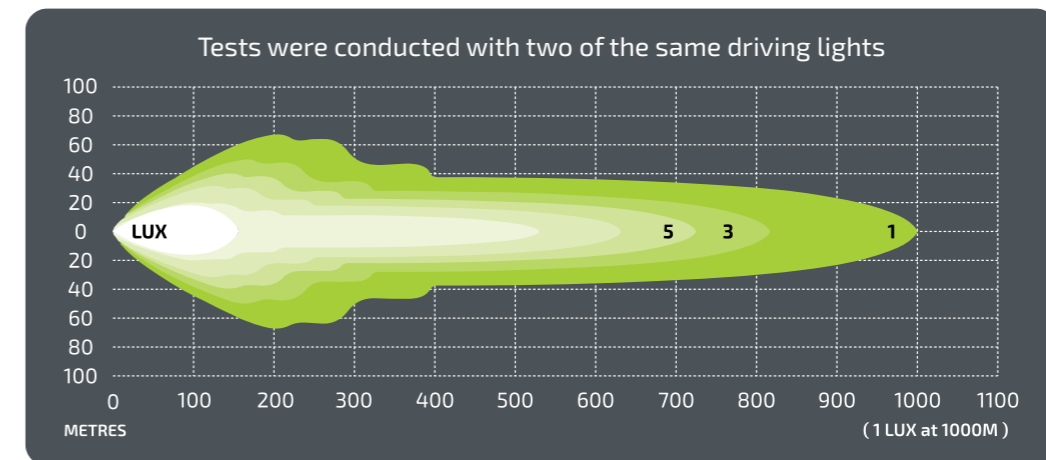
### SPECIFICATIONS (PER LIGHT)

- ▶ Raw Lumens: 9,600 (19,200 Pair)
- ▶ Colour: White Light 5700K
- ▶ Voltage: 12V - 24V
- ▶ Wattage: 130W
- ▶ Current Draw: 8.33A @ 13.8V / 4.8A @ 24V
- ▶ Wiring: 430mm to 2 Pin DT connection
- ▶ Approved to R10 EMI (radio interference)
- ▶ Waterproof IP68 & IP69K
- ▶ Weight: 2.58kg
- ▶ Kit Contents: 2 x LED Driving Lights

### DIMENSIONS



### LUX PERFORMANCE



## NX9SL 9" PROTECTIVE COVERS

Protective covers are available for the NX9SL LED Slimline Driving Light.

- ▶ Available in Clear or Black
- ▶ Pack contains 2 covers
- ▶ 1 Year Warranty



PART NUMBER  
Clear  
**NX102**

PART NUMBER  
Black  
**NX103**



# NX9SL

## LED SLIMLINE DRIVING LIGHT WITH CHROME BEZEL & CLEAR COVER



WATER PROOF IP68 & IP69K



MULTI VOLT 12-24V



WHITE LIGHT 5700K



UV PROTECTED LENS



SHOCK & VIBRATION RESISTANT



LOW CURRENT DRAW



9" (228mm)  
**130W**

**COMBO BEAM**

PART NUMBER  
**NX925**

RECOMMENDED  
WIRING HARNESS  
NX200



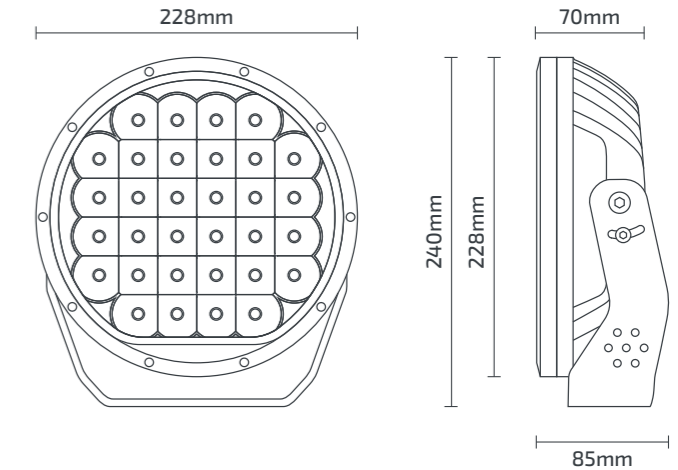
For those looking for a little more style with their driving lights, the NX9SL now comes in a chrome bezel option.

All of the specifications remain the same as the much loved standard version but as a point of difference, this kit does come with 2 clear protective covers to make sure the chrome finish stays damage free.

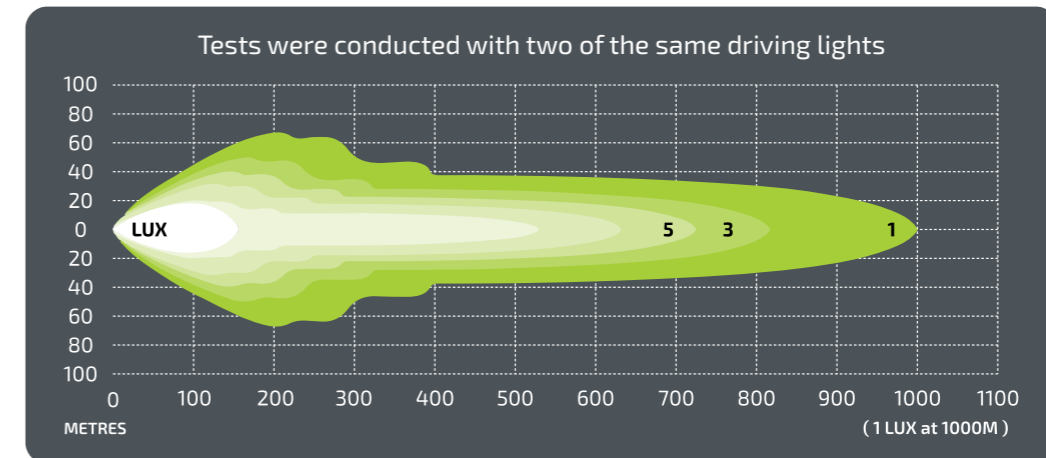
### SPECIFICATIONS (PER LIGHT)

- ▶ Raw Lumens: 9,600 (19,200 Pair)
- ▶ Colour: White Light 5700K
- ▶ Voltage: 12V - 24V
- ▶ Wattage: 130W
- ▶ Current Draw: 8.33A @ 13.8V / 4.8A @ 24V
- ▶ Wiring: 430mm to 2 Pin DT connection
- ▶ Approved to R10 EMI (radio interference)
- ▶ Waterproof IP68 & IP69K
- ▶ Weight: 2.58kg
- ▶ Kit Contents: 2 x LED Driving Lights  
2 x Clear Protective Covers

### DIMENSIONS



### LUX PERFORMANCE



Whether you're a long haul truck driver or a weekend adventurer, the 3 year product warranty ensures peace of mind.

## NX9SL 9" PROTECTIVE COVERS

Clear protective covers are included in this kit but are also available to buy, along with the black version.

- ▶ Available in Clear or Black
- ▶ Pack contains 2 covers
- ▶ 1 Year Warranty



PART NUMBER  
Clear  
**NX102**

PART NUMBER  
Black  
**NX103**



# NX9

## LED DRIVING LIGHT

### WITH DUAL COLOUR FRONT POSITION LIGHTS



WATER PROOF  
IP68 & IP69K



MULTI VOLT  
12-24V



WHITE LIGHT  
5700K



UV PROTECTED LENS



SHOCK & VIBRATION RESISTANT



INC FRONT POSITION LIGHTING



8.5" (220mm)  
174W

COMBO BEAM

PART NUMBER  
NX930

RECOMMENDED  
WIRING HARNESS  
NX215



The NX930 comes with a clear cover that widens the first 300m of the combo beam pattern, making it ideal for off road applications. Beam images can be found on the next pages.

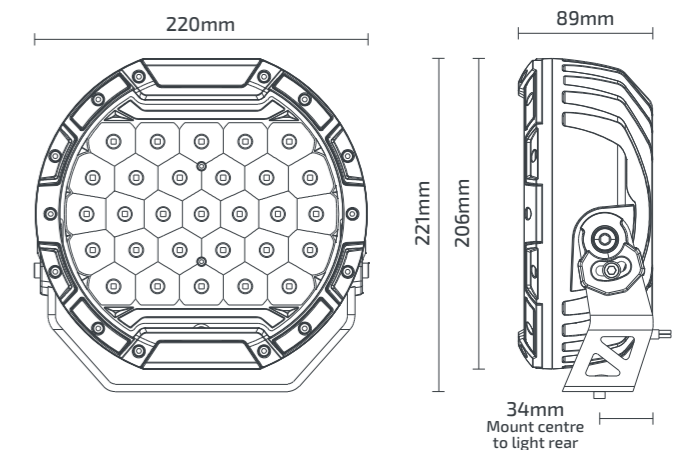
A Noxsolis branded blackout cover is also included, with strategic cutouts to utilise the front position lighting feature.



### SPECIFICATIONS

- ▶ Raw Lumens: 16,500
- ▶ Colour: White Light 5700K
- ▶ Voltage: 12V - 24V
- ▶ Wattage: 174W
- ▶ Current Draw: 13.7A @ 13.8V / 6.7A @ 24V
- ▶ Wiring: 500mm to 2 Pin DT-P connection
- ▶ Meets R10 EMI (radio interference) & R7 Front Position (white only)
- ▶ Waterproof IP68 & IP69K
- ▶ Weight: 2.85kg
- ▶ Kit Contents: 1 x LED Driving Light  
1 x Clear Cover (For wider beam)  
1 x Branded Blackout Cover

### DIMENSIONS



The NX9 Driving Light has been re-designed from the ground up using the most advanced manufacturing systems and highest quality components available on the market. With a rugged 5mm thick steel bracket, premium LEDs, UV protected lens and dual colour front position lighting, this light is ready to tackle any environment it's aimed at.

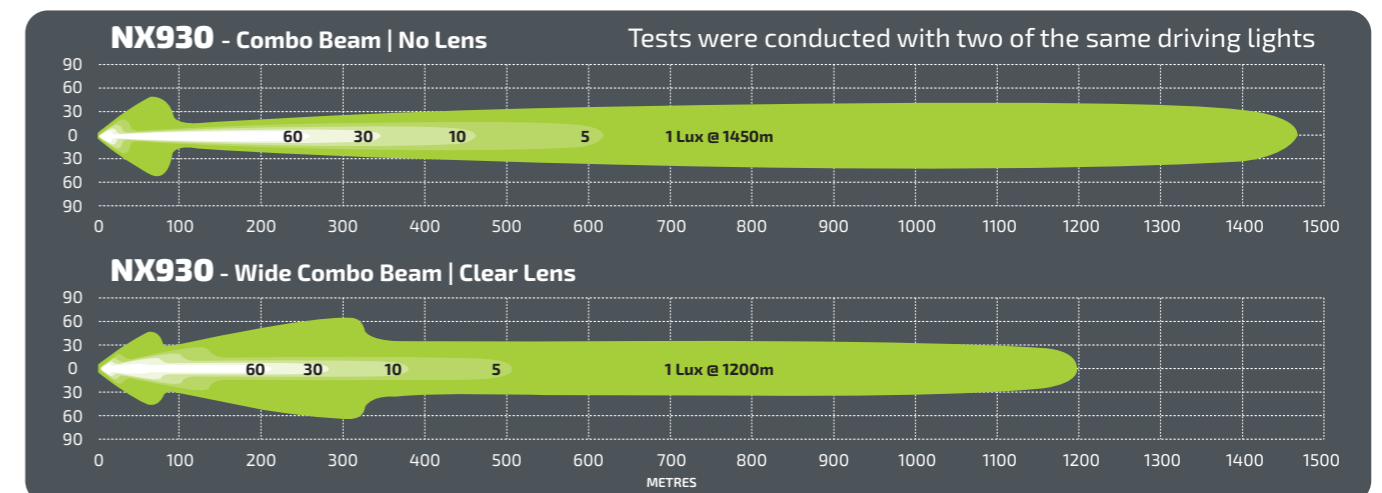
DUAL COLOUR FRONT POSITION



WHITE OR AMBER



### LUX PERFORMANCE



The below images show the difference between the standard combo beam of the NX930 and the wide combo beam produced when the clear covers are installed.

The lens optics focus on spreading the centre hot spot, giving the beam a more even spread across the road or track. While the overall distance does come down from 1450m to 1200m at 1 lux, the overall coverage of the beam is what makes this option incredibly viable.

Both patterns are ideal for highway and country driving on long straight roads, with the wide combo beam opening up options for offroading where it's important to illuminate potential hazards either side of the track.

### NX930 x 2



**NX930 x 2 with clear covers for wider beam**



DRIVING VIEW



USE THE  
QR CODES  
TO SEE THE  
DIFFERENCE

AERIAL VIEW



# NX8

# LED LIGHT BARS



WATER PROOF  
IP67 & IP69K



MULTI VOLT  
12-24V



WHITE LIGHT  
5700K



UV PROTECTED LENS



SHOCK & VIBRATION RESISTANT

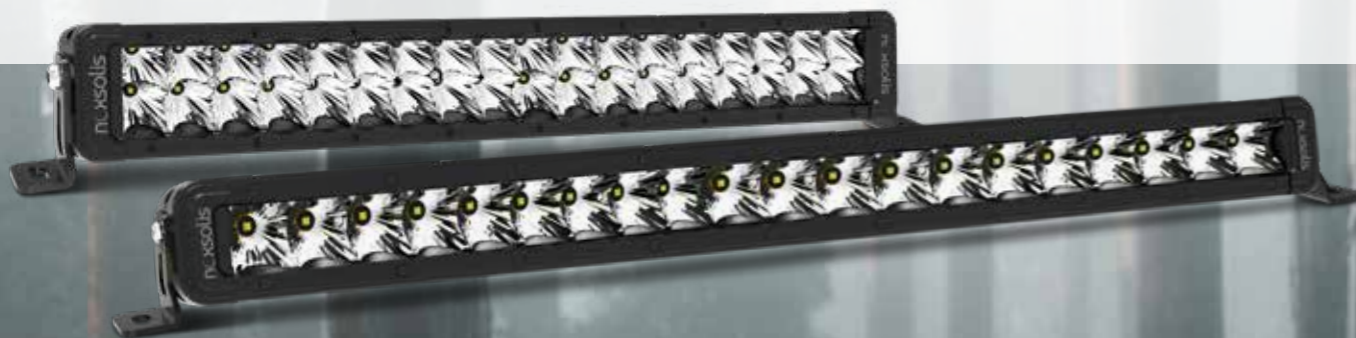


LOW CURRENT DRAW



The NX8 light bar range has been developed as the perfect 'all-round' lighting option for any vehicle. Whether it's part of a larger lighting set up or simply on its own, the NX8's combo beam has a lot to offer.

There are 5 different size options available in both single and double row configurations which means there is an NX8 product for almost any application.



## RANGE WIDE SPECIFICATIONS

- ▶ Powerful & precise Osram OSOLON® LEDs
- ▶ Colour: White Light 5700K
- ▶ Voltage: 12V - 24V
- ▶ Wiring: 430mm to 2 Pin DT connection
- ▶ Approved to R10 EMI (radio interference)
- ▶ Waterproof IP67 & IP69K

## KIT CONTENTS

- ▶ 1 x LED Light Bar
- ▶ For 14", 22" & 32" Bars:  
2 x Side Brackets & 2 x Adjustable Bottom Brackets (Mounting hardware included)
- ▶ For 42" & 52" Bars:  
2 x Side Brackets & 3 x Adjustable Bottom Brackets (Mounting hardware included)

## RANGE WIDE MEASUREMENTS & MOUNTING OPTIONS

### DOUBLE ROW HEIGHT

Bar Only: 73.4mm  
With side brackets: 91.7mm  
With adjustable bottom brackets: 90mm



### SINGLE ROW HEIGHT

Bar Only: 48mm  
With side brackets: 67.1mm  
With adjustable bottom brackets: 63mm



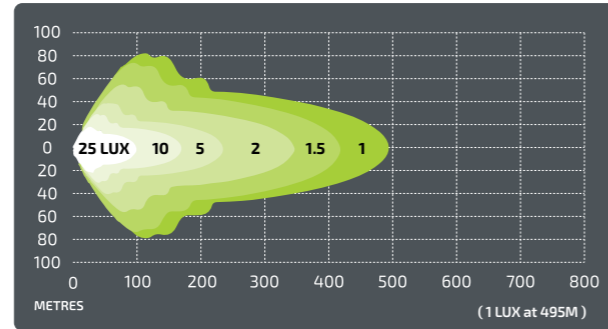


**14"**  
(351mm)  
**48W**

PART NUMBER  
**NX811**

#### NX811 SPECIFICATIONS

- ▶ Raw Lumens: 3,165
- ▶ Wattage: 48W
- ▶ Current Draw: 3.26A @ 13.8V and 1.89A @ 24V
- ▶ Electrical Circuit: Single
- ▶ Weight: 0.7kg
- ▶ Beam: 1 LUX at 495M



#### NX811 DIMENSIONS

- LENGTH**  
Bar Only: 351mm  
(also the length using bottom brackets)  
With side brackets: 403mm

#### NX811 CONNECTION

- ▶ 2 Pin Deutsch DT

#### RECOMMENDED WIRING HARNESS

- ▶ NX210

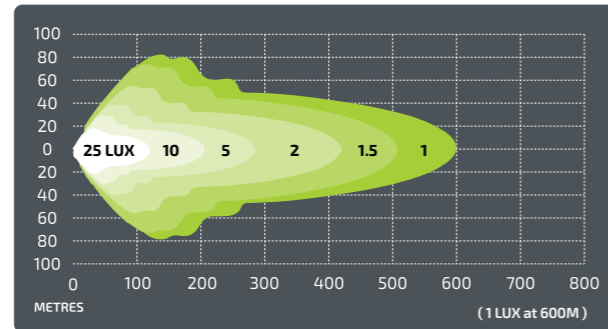


**22"**  
(555mm)  
**80W**

PART NUMBER  
**NX821**

#### NX821 SPECIFICATIONS

- ▶ Raw Lumens: 5,188
- ▶ Wattage: 80W
- ▶ Current Draw: 6.67A @ 13.8V and 3.85A @ 24V
- ▶ Electrical Circuit: Single
- ▶ Weight: 1.04kg
- ▶ Beam: 1 LUX at 600M



#### NX821 DIMENSIONS

- LENGTH**  
Bar Only: 555mm  
(also the length using bottom brackets)  
With side brackets: 609mm

#### NX821 CONNECTION

- ▶ 2 Pin Deutsch DT

#### RECOMMENDED WIRING HARNESS

- ▶ NX210

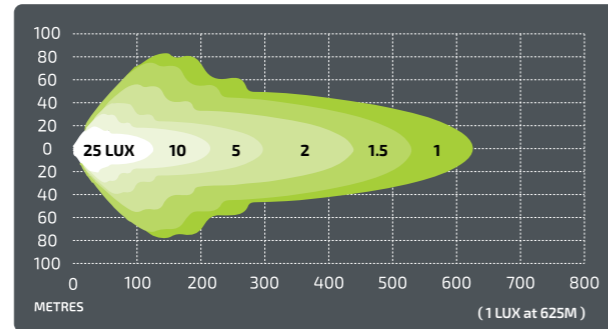


**32"**  
(810mm)  
**120W**

PART NUMBER  
**NX831**

#### NX831 SPECIFICATIONS

- ▶ Raw Lumens: 7,126
- ▶ Wattage: 120W
- ▶ Current Draw: 7.75A @ 13.8V and 4.46A @ 24V
- ▶ Electrical Circuit: Dual
- ▶ Weight: 1.52kg
- ▶ Beam: 1 LUX at 625M



#### NX831 DIMENSIONS

- LENGTH**  
Bar Only: 810mm  
(also the length using bottom brackets)  
With side brackets: 864mm

#### NX831 CONNECTION

- ▶ 2 Pin Deutsch DT

#### RECOMMENDED WIRING HARNESS

- ▶ NX210

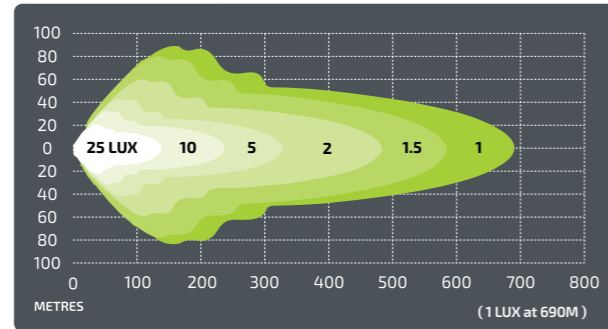


**42"**  
(1065mm)  
**160W**

PART NUMBER  
**NX841**

#### NX841 SPECIFICATIONS

- ▶ Raw Lumens: 9,473
- ▶ Wattage: 160W
- ▶ Current Draw: 10.22A @ 13.8V and 5.9A @ 24V
- ▶ Electrical Circuit: Dual
- ▶ Weight: 1.96kg
- ▶ Beam: 1 LUX at 690M



#### NX841 DIMENSIONS

- LENGTH**  
Bar Only: 1065mm  
(also the length using bottom brackets)  
With side brackets: 1119mm

#### NX841 CONNECTION

- ▶ 2 Pin Deutsch DT

#### RECOMMENDED WIRING HARNESS

- ▶ NX210

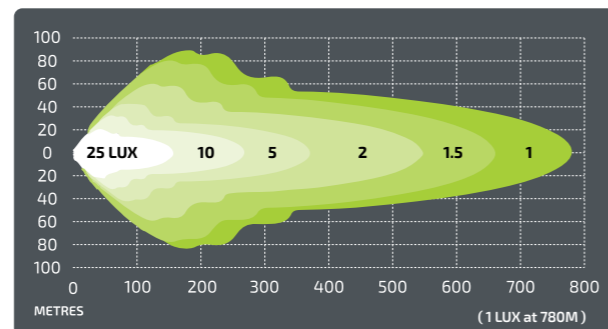


**52"**  
(1320mm)  
**200W**

PART NUMBER  
**NX851**

#### NX851 SPECIFICATIONS

- ▶ Raw Lumens: 12,623
- ▶ Wattage: 200W
- ▶ Current Draw: 14.71A @ 13.8V and 8.47A @ 24V
- ▶ Electrical Circuit: Triple
- ▶ Weight: 2.44kg
- ▶ Beam: 1 LUX at 780M



#### NX851 DIMENSIONS

- LENGTH**  
Bar Only: 1320mm  
(also the length using bottom brackets)  
With side brackets: 1374mm

#### NX851 CONNECTION

- ▶ 2 Pin Deutsch DT-P

#### RECOMMENDED WIRING HARNESS

- ▶ NX220

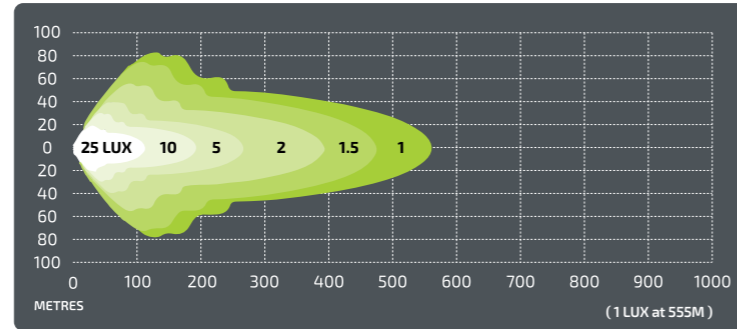


**14"**  
(361mm)  
**96W**

PART NUMBER  
**NX812**

#### NX812 SPECIFICATIONS

- ▶ Raw Lumens: 4,653
- ▶ Wattage: 96W
- ▶ Current Draw: 4.06A @ 13.8V and 2.36A @ 24V
- ▶ Electrical Circuit: Single
- ▶ Weight: 1.0kg
- ▶ Beam: 1 LUX at 555M



#### NX811 DIMENSIONS

- LENGTH**  
Bar Only: 361mm  
(also the length using bottom brackets)  
With side brackets: 420mm

#### NX811 CONNECTION

- ▶ 2 Pin Deutsch DT

#### RECOMMENDED WIRING HARNESS

- ▶ NX210

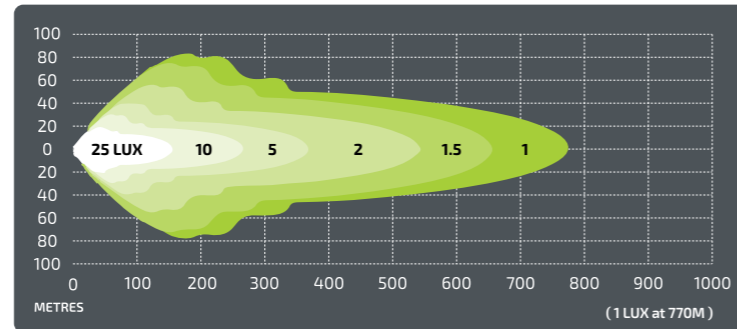


**22"**  
(565mm)  
**160W**

PART NUMBER  
**NX822**

#### NX821 SPECIFICATIONS

- ▶ Raw Lumens: 10,133
- ▶ Wattage: 160W
- ▶ Current Draw: 8.91A @ 13.8V and 5.14A @ 24V
- ▶ Electrical Circuit: Dual
- ▶ Weight: 1.56kg
- ▶ Beam: 1 LUX at 770M



#### NX821 DIMENSIONS

- LENGTH**  
Bar Only: 565mm  
(also the length using bottom brackets)  
With side brackets: 624mm

#### NX821 CONNECTION

- ▶ 2 Pin Deutsch DT

#### RECOMMENDED WIRING HARNESS

- ▶ NX210

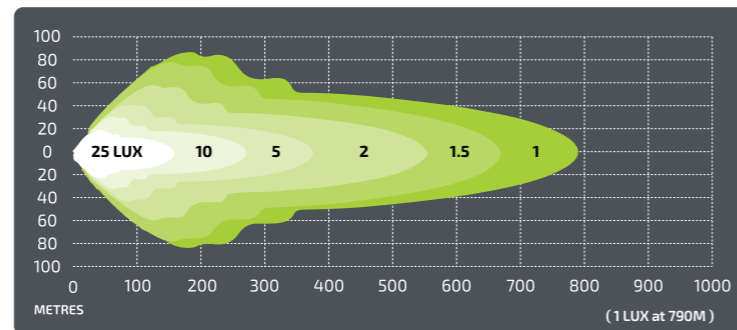


**32"**  
(820mm)  
**240W**

PART NUMBER  
**NX832**

#### NX831 SPECIFICATIONS

- ▶ Raw Lumens: 11,973
- ▶ Wattage: 240W
- ▶ Current Draw: 11.23A @ 13.8V and 6.45A @ 24V
- ▶ Electrical Circuit: Dual
- ▶ Weight: 2.05kg
- ▶ Beam: 1 LUX at 790M



#### NX831 DIMENSIONS

- LENGTH**  
Bar Only: 820mm  
(also the length using bottom brackets)  
With side brackets: 879mm

#### NX831 CONNECTION

- ▶ 2 Pin Deutsch DT

#### RECOMMENDED WIRING HARNESS

- ▶ NX210

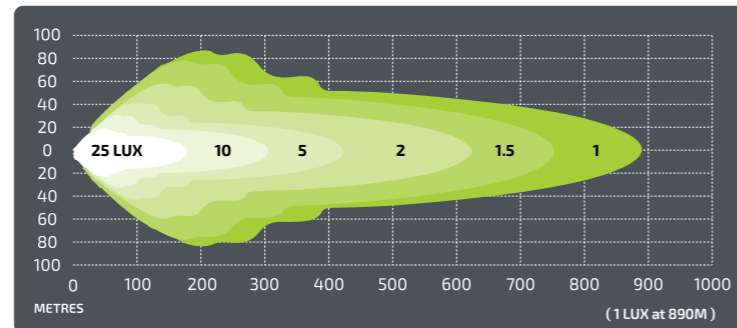


**42"**  
(1075mm)  
**320W**

PART NUMBER  
**NX842**

#### NX841 SPECIFICATIONS

- ▶ Raw Lumens: 17,236
- ▶ Wattage: 320W
- ▶ Current Draw: 15.94A @ 13.8V and 9.16A @ 24V
- ▶ Electrical Circuit: Quad
- ▶ Weight: 2.73kg
- ▶ Beam: 1 LUX at 890M



#### NX841 DIMENSIONS

- LENGTH**  
Bar Only: 1075mm  
(also the length using bottom brackets)  
With side brackets: 1134mm

#### NX841 CONNECTION

- ▶ 2 Pin Deutsch DT-P

#### RECOMMENDED WIRING HARNESS

- ▶ NX220

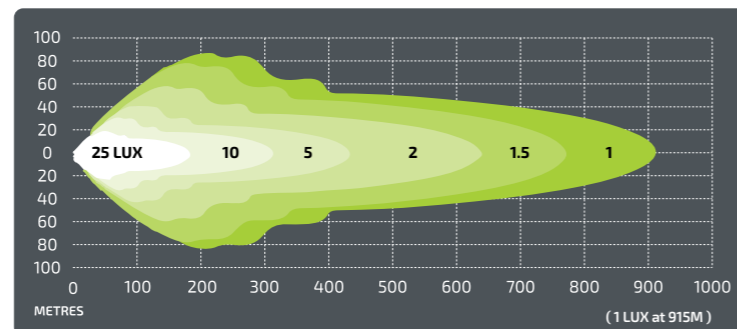


**52"**  
(1330mm)  
**400W**

PART NUMBER  
**NX852**

#### NX851 SPECIFICATIONS

- ▶ Raw Lumens: 21,375
- ▶ Wattage: 400W
- ▶ Current Draw: 19.93A @ 13.8V and 11.45A @ 24V
- ▶ Electrical Circuit: Quad
- ▶ Weight: 3.33kg
- ▶ Beam: 1 LUX at 915M



#### NX851 DIMENSIONS

- LENGTH**  
Bar Only: 1330mm  
(also the length using bottom brackets)  
With side brackets: 1389mm

#### NX851 CONNECTION

- ▶ 2 Pin Deutsch DT-P

#### RECOMMENDED WIRING HARNESS

- ▶ NX220



# NX2

# WIRING HARNESS & ACCESSORIES

These plug & play wiring harness products make it easy to connect driving lights or light bars to your vehicle. High beam connections include HB3, H4 or bare wires and the harnesses are also suitable for positive and negatively switched vehicles. 12V & 24V relays are included for different voltage systems.

For correct product selection, please refer back to the main product page of the light bars or driving lights you are wiring.



## STANDARD HARNESS WITH 2-PIN DT CONNECTION

PART NUMBER **NX200** FOR 2 X DRIVING LIGHTS

PART NUMBER **NX210** FOR 1 X LIGHT BAR

### SPECIFICATIONS

- ▶ Voltage: 12V or 24V
- ▶ Relay: 40A Fuse: NX210 (15A) NX200 (30A)
- ▶ Max Load Current: 24 Amp (12 Amp per lead)
- ▶ Operating Temperature: -30°C to 70°C
- ▶ Cable from Relay to Light Connection: 16AWG 300cm
- ▶ Cable from Relay to Battery Terminal: 14AWG 50cm
- ▶ Cable from Relay to Switch: 20AWG 290cm
- ▶ Kit Contents: 1 x 12V Wiring Harness  
1 x 24V Optional Relay  
2 x High Beam Adaptor Cables

The standard harness range consists of 2-Pin DT plugs, lightly braided sheathing and 40A relays.

These products are suitable for lower wattage light bars and driving lights that use common DT connections.



The heavy duty harness range consists of 2-Pin DT-P plugs, 40 or 60A relays and a heavy duty braided sheathing for added heat and physical protection.

These products are suitable for higher wattage light bars and driving lights that require DT-P connections and thicker gauge wiring.

## HEAVY DUTY HARNESS WITH 2-PIN DT-P CONNECTION

PART NUMBER **NX215** FOR 2 X DRIVING LIGHTS

PART NUMBER **NX220** FOR 1 X LIGHT BAR

### NX215 SPECIFICATIONS

- ▶ Voltage: 12V or 24V
- ▶ Relay: 60A Fuse: 40A
- ▶ Max Load Current: 40 Amp
- ▶ Operating Temperature: -30°C to 70°C
- ▶ Cable from Relay to Light Connections: 12AWG 300cm
- ▶ Cable from Relay to Battery Terminal: 10AWG 125cm
- ▶ Cable from Relay to Switch: 18AWG 280cm
- ▶ Cable from Relay to High Beam: 18AWG 200cm
- ▶ Included: 100cm of extended wire (18AWG) split into two male bullet connectors for front position / DRL wiring
- ▶ Kit Contents: 1 x 12V Wiring Harness  
1 x 24V Optional Relay  
2 x High Beam Adaptor Cables

### NX220 SPECIFICATIONS

- ▶ Voltage: 12V or 24V
- ▶ Relay: 40A Fuse: 30A
- ▶ Max Load Current: 30 Amp
- ▶ Operating Temperature: -30°C to 70°C
- ▶ Cable from Relay to Light Connection: 12AWG 275cm
- ▶ Cable from Relay to Battery Terminal: 12AWG 120cm
- ▶ Cable from Relay to Switch: 18AWG 120cm
- ▶ Cable from Relay to High Beam: 18AWG 200cm
- ▶ Kit Contents: 1 x 12V Wiring Harness  
1 x 24V Optional Relay  
2 x High Beam Adaptor Cables

## WIRING ACCESSORIES

DT - COMPATIBLE

2-PIN DEUTSCH CONNECTION WITH 150MM WIRE TAILS

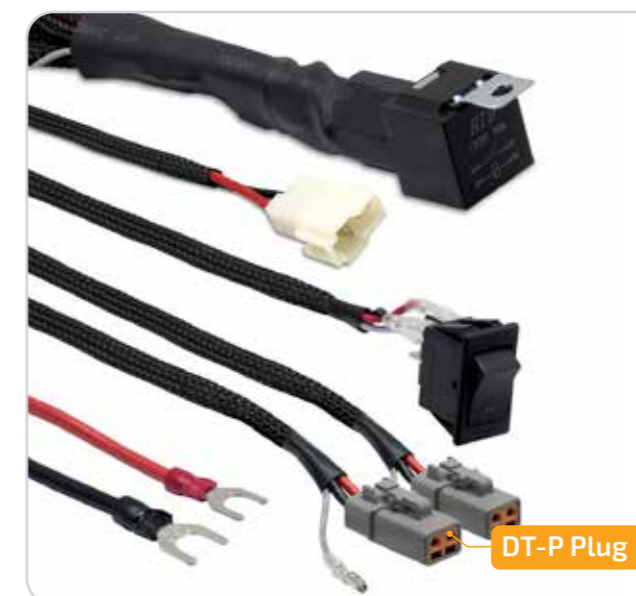
PART NUMBER **NX225**

2 METRE EXTENSION CABLE WITH FEMALE TO MALE 2-PIN DEUTSCH CONNECTOR

PART NUMBER **NX226**

1.3 METRE SPLITTER CABLE WITH 1 X FEMALE TO 2 X MALE 2-PIN DEUTSCH CONNECTORS

PART NUMBER **NX227**



Heavy duty braided sheathing is used on these kits for added protection.



The NX215 harness includes DRL /FP cabling within the sheathing which is ideal for driving lights with multiple features.



# LED DAYTIME RUNNING LIGHT KITS



WATER PROOF IP68



MULTI VOLT 12-24V



WHITE LIGHT 6000K



LOW CURRENT DRAW

# NUMBER PLATE BRACKET

## SUITABLE FOR MOUNTING LIGHT BARS AND 7" DRIVING LIGHTS



It has never been easier to increase road safety with a set of Daytime Running Lights. With their bright, white light output, you'll stand out from the rest of the traffic even during the day.

These DIY install kits come in two different sizes, 125mm or 164mm wide and contain everything required for a successful install, including a detailed instruction sheet.



### SPECIFICATIONS

- ▶ Colour: White Light 6000K
- ▶ Voltage: 12V - 24V
- ▶ ECE (ADR) Approved
- ▶ Waterproof IP68

#### DIMENSIONS

Width: 125mm Height: 23mm Depth: 31mm



## 125mm

PART NUMBER  
NX300

#### DIMENSIONS

Width: 164mm Height: 18mm Depth: 35mm



## 164mm

PART NUMBER  
NX310

### WIRING HARNESS KIT INCLUDED

A complete plug & play wiring harness kit is included in both NX300 and NX310



### PART NUMBER NX250

#### DIMENSIONS

Width: 370mm  
Height: 130mm  
Depth: 70mm

#### NX250 FEATURES

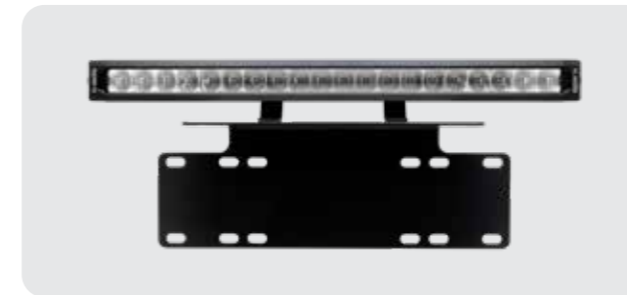
- ▶ Weight: 1.315kg
- ▶ Heavy duty 3mm thick steel construction
- ▶ Multiple mounting holes for both the number plate and products with 10mm maximum opening allowance
- ▶ Light or Vehicle mounting hardware is **NOT** included



Universal Bracket



with NX7SL 7" LED Slimline Driving Lights



with NX8 22" Single Row LED Light Bar



with NX8 22" Double Row LED Light Bar

\* If mounting the NX250 number plate bracket to a standard plastic bumper bar, anything larger than the NX7SL driving lights and larger than the NX8 22" light bars is not recommended for mounting on this bracket due to weight limitations.



# NX5

## LED WORK LIGHTS



WATER PROOF  
IP68 OR IP69K



MULTI VOLT  
12-24V



WHITE LIGHT  
5700K



UV PROTECTED LENS



SHOCK & VIBRATION RESISTANT



LOW CURRENT DRAW



The range of NX5 LED work lights is incredibly expansive, covering most standard sizes from a small 30W 3.7" x 2.5" all the way up to the impressive 580W 13" x 8", capable of lighting a soccer pitch on its own.

Specialty work light products are also included in the range, designed for very niche purposes and industries including, agricultural spraying and livestock transport.

If you need more light out on the field or worksite, the NX5 range of LED work lights has something for you.

### RANGE WIDE SPECIFICATIONS

- ▶ Colour: White Light 5700K
- ▶ Voltage: 12V - 24V
- ▶ Approved to R10 EMI (radio interference)
- ▶ Waterproof IP69K

### KIT CONTENTS

- ▶ 1 x LED Work Light
- ▶ Includes all installation hardware



**3.5"** (88mm)  
**40W**

**FLOOD BEAM**

PART NUMBER  
**NX500**

**SPOT BEAM**

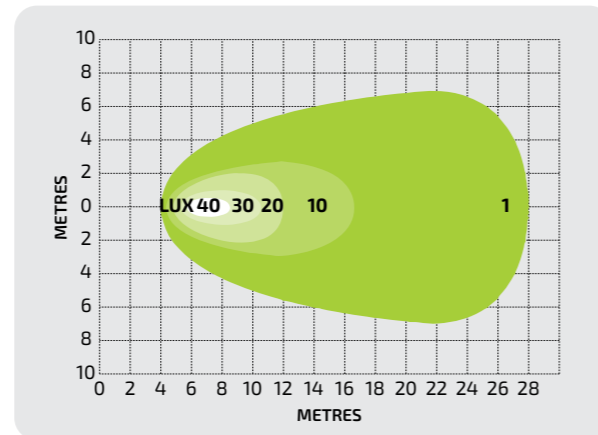
PART NUMBER  
**NX500S**



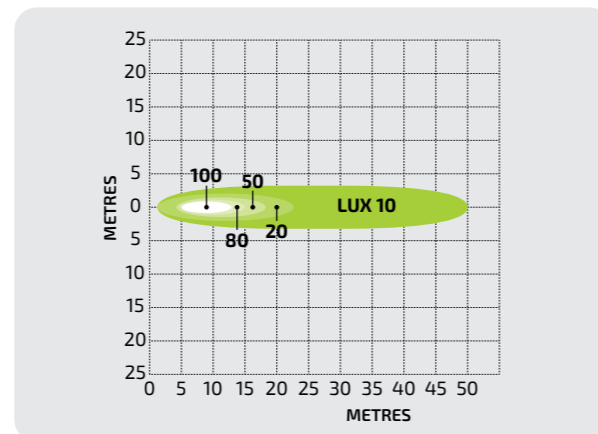
**NX500 & NX500S SPECIFICATIONS**

- ▶ Raw Lumens: 3,400
- ▶ Wattage: 40W
- ▶ Current Draw: 3.3A @ 12V and 1.6A @ 24V
- ▶ Weight: 1.2kg
- ▶ CISPR Rating: CISPR 25 Class 4
- ▶ Vibration Rating: 60g

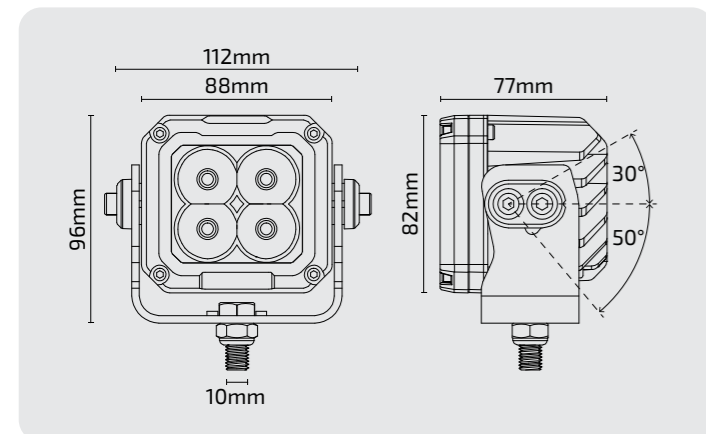
**NX500 (FLOOD) LUX PERFORMANCE**



**NX500S (SPOT) LUX PERFORMANCE**



**DIMENSIONS**



**RANGE WIDE SPECIFICATIONS**

- ▶ Colour: White Light 5700K
- ▶ Voltage: 12V - 24V
- ▶ Approved to R10 EMI (radio interference)
- ▶ Waterproof IP69K

**KIT CONTENTS**

- ▶ 1 x LED Work Light
- ▶ Includes all installation hardware

**4"** (110mm)  
**60W**

**FLOOD BEAM**

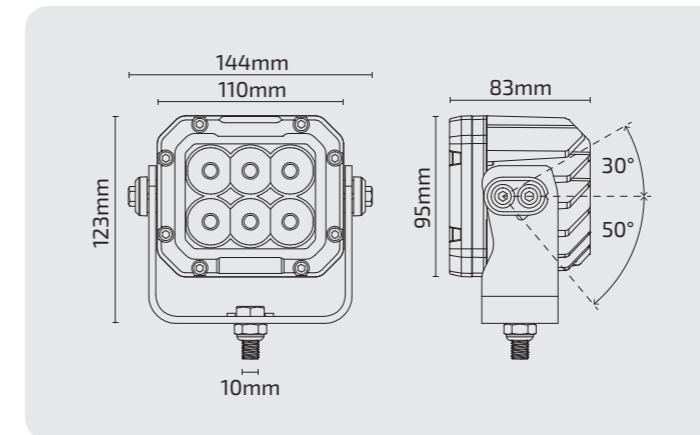
PART NUMBER  
**NX503**

**NX503 SPECIFICATIONS**

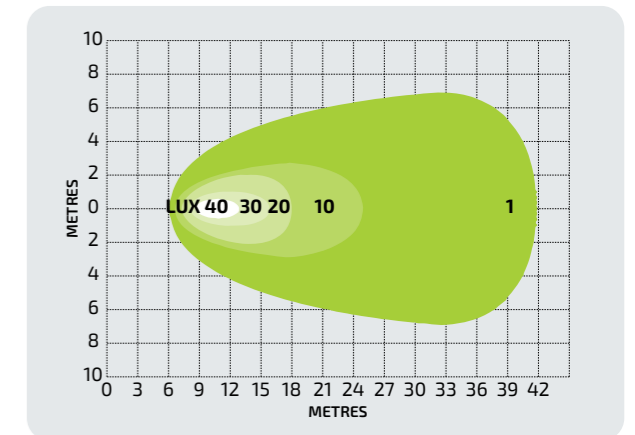
- ▶ Raw Lumens: 5,100
- ▶ Wattage: 60W
- ▶ Current Draw: 5.0A @ 12V and 2.5A @ 24V
- ▶ Weight: 1.6kg
- ▶ CISPR Rating: CISPR 25 Class 4
- ▶ Vibration Rating: 60g



**DIMENSIONS**



**LUX PERFORMANCE**



**5"** (125mm)  
**90W**

**FLOOD BEAM**

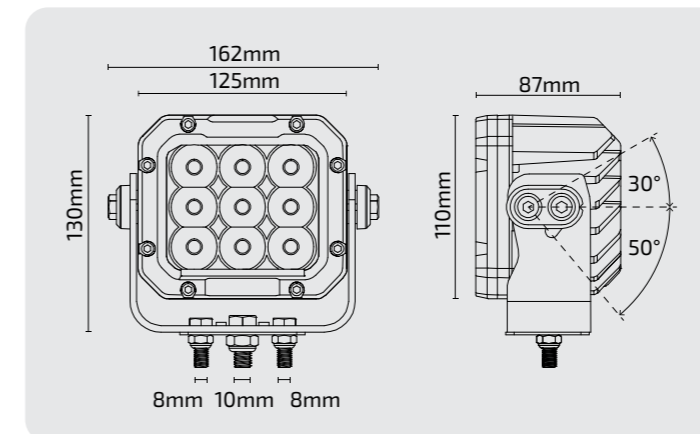
PART NUMBER  
**NX505**

**NX505 SPECIFICATIONS**

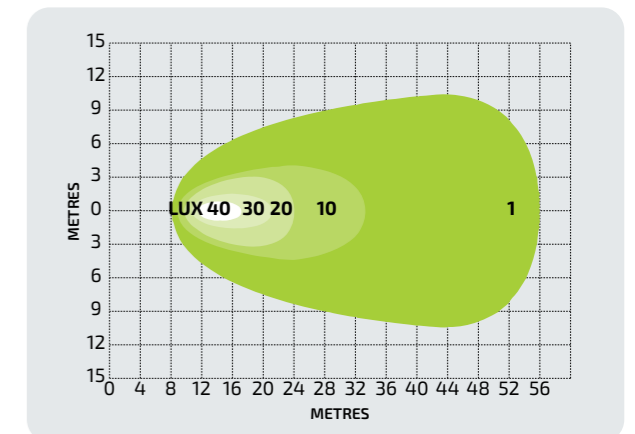
- ▶ Raw Lumens: 7,650
- ▶ Wattage: 90W
- ▶ Current Draw: 7.5A @ 12V and 3.75A @ 24V
- ▶ Weight: 2.2kg
- ▶ CISPR Rating: CISPR 25 Class 4
- ▶ Vibration Rating: 60g



**DIMENSIONS**



**LUX PERFORMANCE**



## RANGE WIDE SPECIFICATIONS

- ▶ Colour: White Light 5700K
- ▶ Voltage: 12V - 24V
- ▶ Approved to R10 EMI (radio interference)
- ▶ Waterproof IP69K

## KIT CONTENTS

- ▶ 1 x LED Work Light
- ▶ Includes all installation hardware

**6"** (147mm)  
**120W**

**FLOOD BEAM**

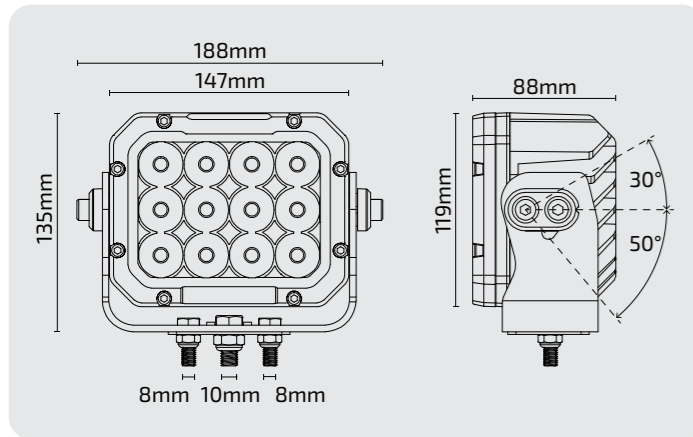
PART NUMBER  
**NX507**

### NX507 SPECIFICATIONS

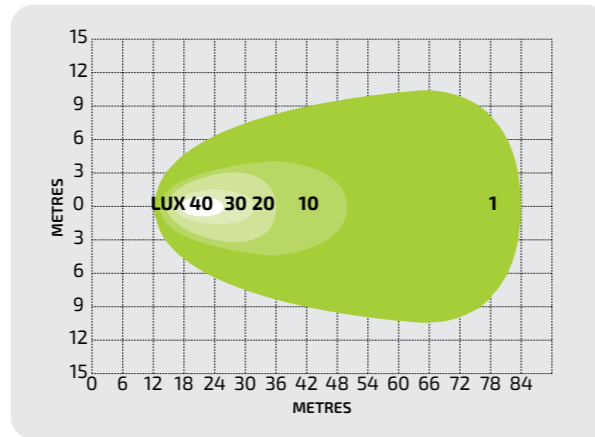
- ▶ Raw Lumens: 10,200
- ▶ Wattage: 120W
- ▶ Current Draw: 10.0A @ 12V and 5.0A @ 24V
- ▶ Weight: 2.65kg
- ▶ CISPR Rating: CISPR 25 Class 4
- ▶ Vibration Rating: 60g



### DIMENSIONS



### LUX PERFORMANCE



**3.7" x 2.5"**  
(95mm x 63mm)  
**30W**

**FLOOD BEAM**

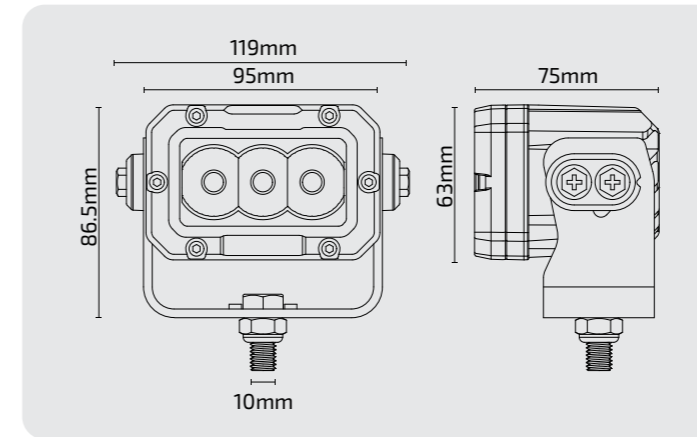
PART NUMBER  
**NX513**

### NX513 SPECIFICATIONS

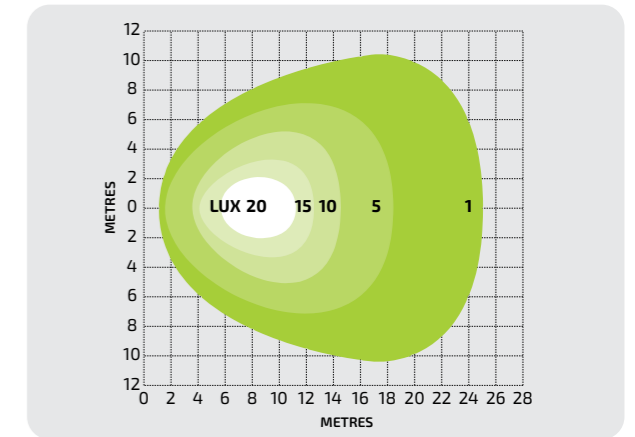
- ▶ Raw Lumens: 2,400
- ▶ Wattage: 30W
- ▶ Current Draw: 2.5A @ 12V and 1.25A @ 24V
- ▶ Weight: 1.0kg
- ▶ CISPR Rating: CISPR 25 Class 4
- ▶ Vibration Rating: 60g



### DIMENSIONS



### LUX PERFORMANCE



**7"** (178mm)  
**160W**

**FLOOD BEAM**

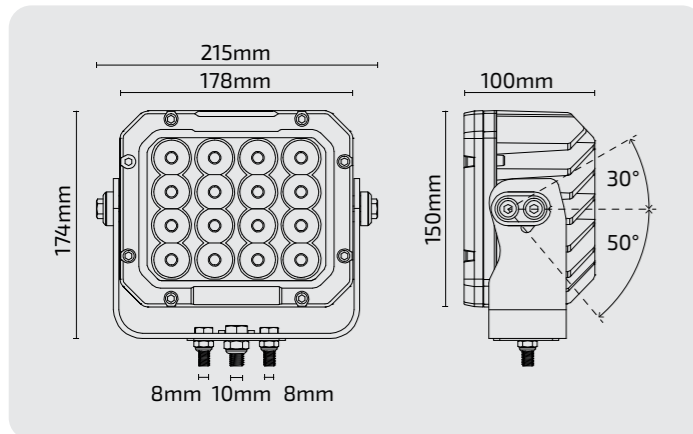
PART NUMBER  
**NX510**

### NX510 SPECIFICATIONS

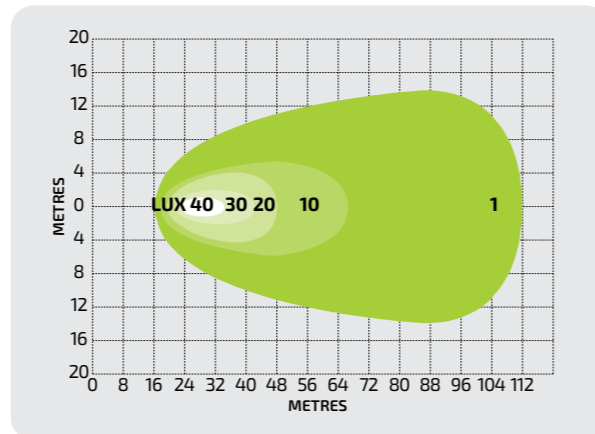
- ▶ Raw Lumens: 13,600
- ▶ Wattage: 160W
- ▶ Current Draw: 13.3A @ 12V and 6.6A @ 24V
- ▶ Weight: 4.05kg
- ▶ CISPR Rating: CISPR 25 Class 4
- ▶ Vibration Rating: 60g



### DIMENSIONS



### LUX PERFORMANCE



**4" x 3"**  
(110mm x 80mm)  
**50W**

**FLOOD BEAM**

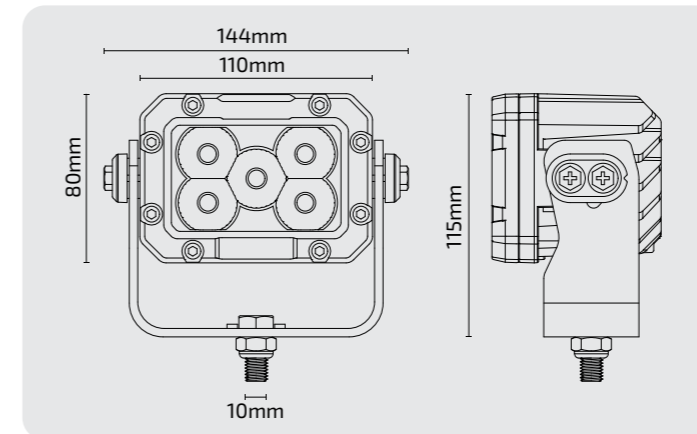
PART NUMBER  
**NX514**

### NX514 SPECIFICATIONS

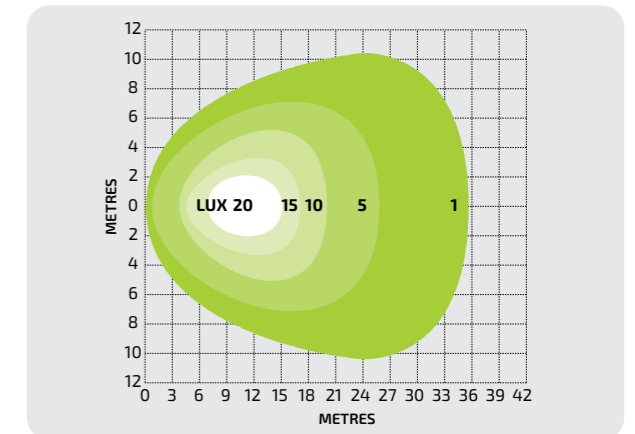
- ▶ Raw Lumens: 4,250
- ▶ Wattage: 50W
- ▶ Current Draw: 4.1A @ 12V and 2.0A @ 24V
- ▶ Weight: 1.4kg
- ▶ CISPR Rating: CISPR 25 Class 4
- ▶ Vibration Rating: 60g



### DIMENSIONS



### LUX PERFORMANCE



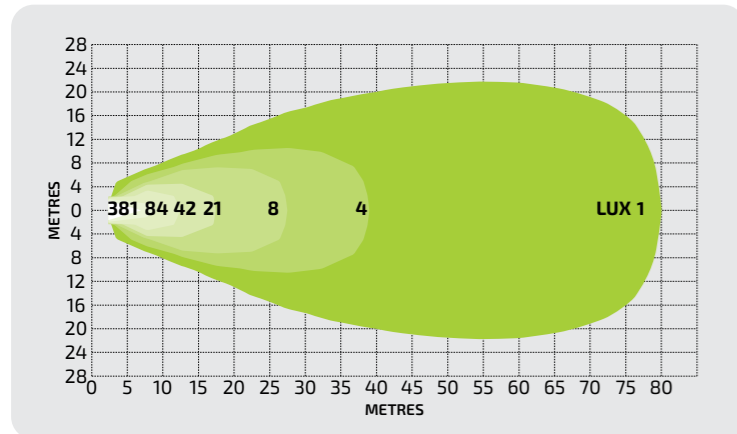
**20"**  
(550mm)  
**50W**

**FLOOD BEAM**

PART NUMBER  
**NX518**



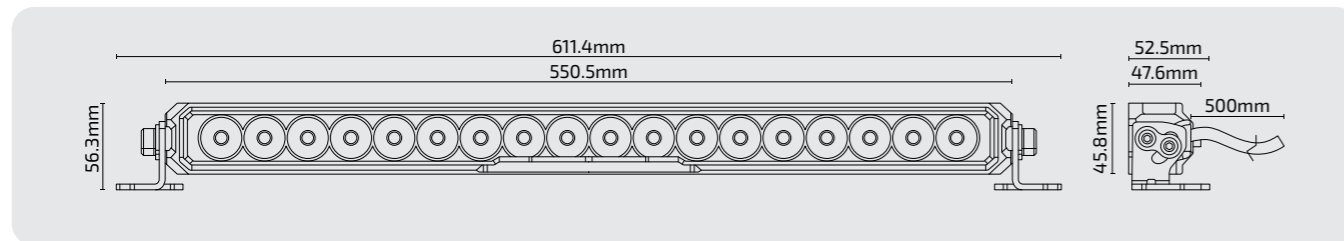
**LUX PERFORMANCE**



**NX518 SPECIFICATIONS**

- ▶ Raw Lumens: 4,800
- ▶ Wattage: 50W
- ▶ Current Draw: 3.83A @ 12V and 1.92A @ 24V
- ▶ Weight: 1.4kg
- ▶ CISPR Rating: CISPR 25 Class 3

**DIMENSIONS**



**RANGE WIDE SPECIFICATIONS**

- ▶ Colour: White Light 5700K
- ▶ Voltage: 12V - 24V
- ▶ Approved to R10 EMI (radio interference)
- ▶ Waterproof IP69K

**KIT CONTENTS**

- ▶ 1 x LED Work Light
- ▶ Includes all installation hardware

**12.5" x 4"**  
(316mm x 96mm)  
**290W**

**FLOOD BEAM**

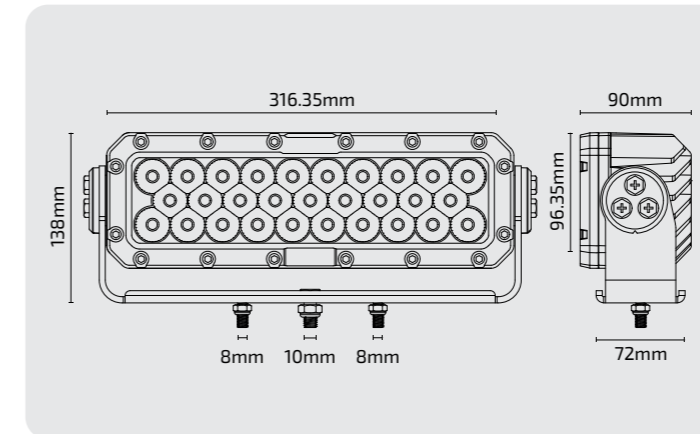
PART NUMBER  
**NX520**

**NX520 SPECIFICATIONS**

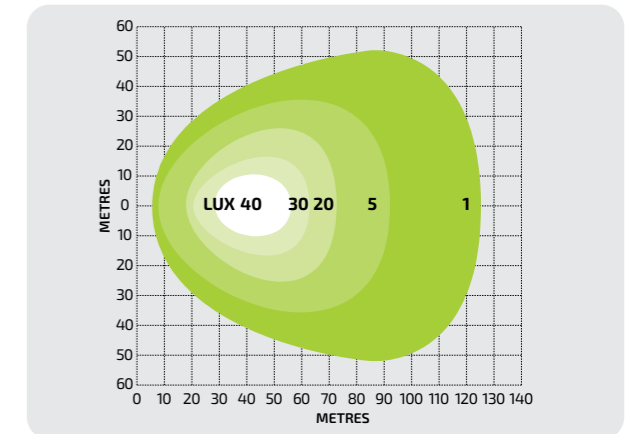
- ▶ Raw Lumens: 23,200
- ▶ Wattage: 290W
- ▶ Current Draw: 24.0A @ 12V and 12.0A @ 24V
- ▶ Weight: 5.6kg
- ▶ CISPR Rating: CISPR 25 Class 4
- ▶ Vibration Rating: 60g



**DIMENSIONS**



**LUX PERFORMANCE**



**13" x 8"**  
(330mm x 205mm)  
**580W**

**FLOOD BEAM**

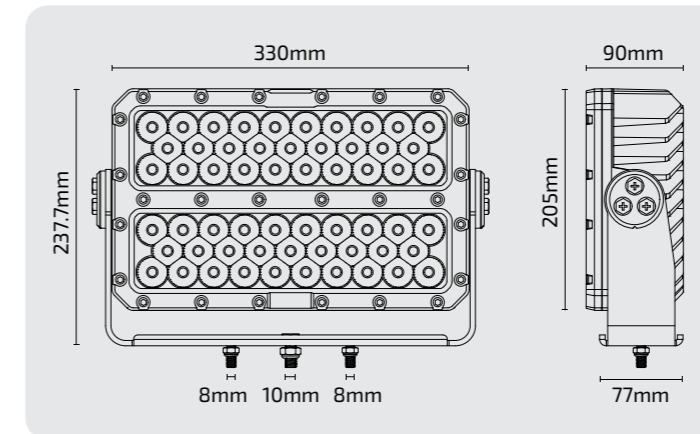
PART NUMBER  
**NX525**

**NX525 SPECIFICATIONS**

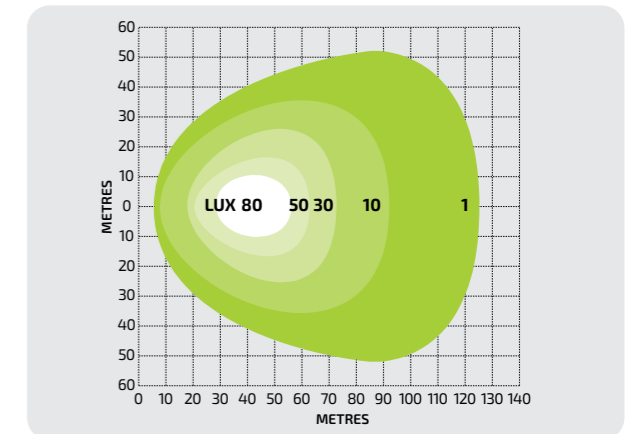
- ▶ Raw Lumens: 46,400
- ▶ Wattage: 580W
- ▶ Current Draw: 48.3A @ 12V and 24.2A @ 24V
- ▶ Weight: 9.7kg
- ▶ CISPR Rating: CISPR 25 Class 4
- ▶ Vibration Rating: 60g



**DIMENSIONS**



**LUX PERFORMANCE**





## RANGE WIDE SPECIFICATIONS

- ▶ Colour: White Light 5700K
- ▶ Voltage: 12V - 24V
- ▶ Approved to R10 EMI (radio interference)
- ▶ Waterproof IP69K

## KIT CONTENTS

- ▶ 1 x LED Work Light
- ▶ Includes all installation hardware

**4"** (110mm)  
**60W**

**FLOOD BEAM**

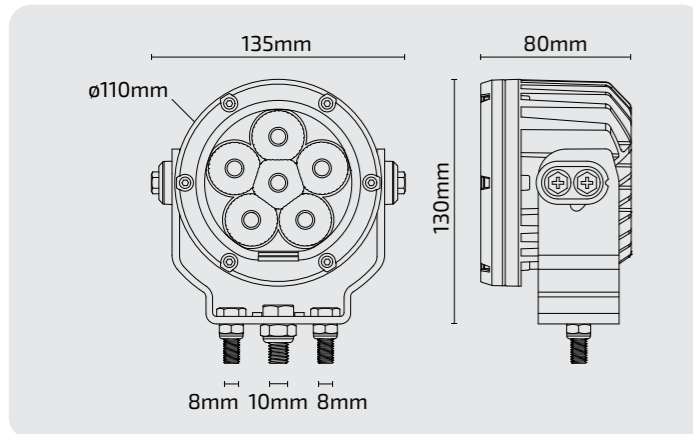
PART NUMBER  
**NX540**

### NX540 SPECIFICATIONS

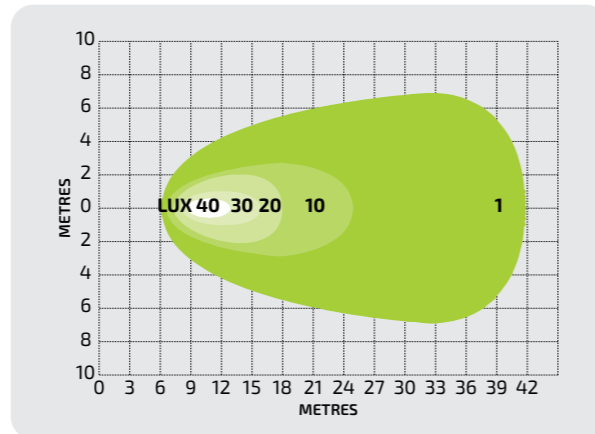
- ▶ Raw Lumens: 4,800
- ▶ Wattage: 60W
- ▶ Current Draw: 5.0A @ 12V and 2.5A @ 24V
- ▶ Weight: 1.1kg
- ▶ CISPR Rating: CISPR 25 Class 4
- ▶ Vibration Rating: 60g



### DIMENSIONS



### LUX PERFORMANCE



**6"** (152mm)  
**140W**

**FLOOD BEAM**

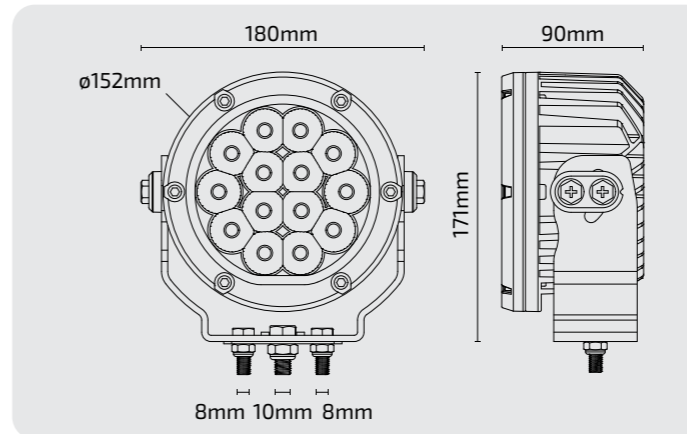
PART NUMBER  
**NX545**

### NX545 SPECIFICATIONS

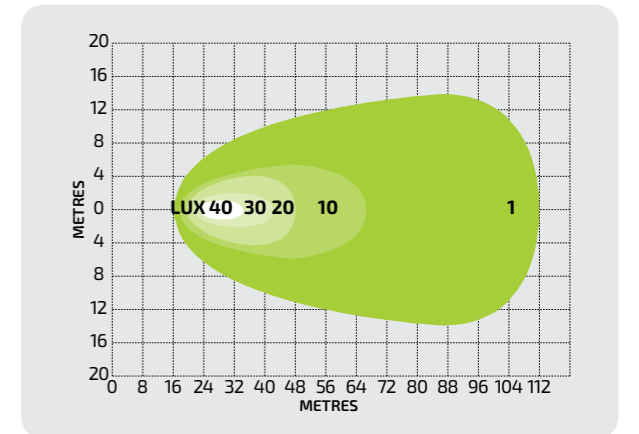
- ▶ Raw Lumens: 11,200
- ▶ Wattage: 140W
- ▶ Current Draw: 11.6A @ 12V and 5.8A @ 24V
- ▶ Weight: 2.6kg
- ▶ CISPR Rating: CISPR 25 Class 4
- ▶ Vibration Rating: 60g



### DIMENSIONS



### LUX PERFORMANCE



**5"** (127mm)  
**90W**

**FLOOD BEAM**

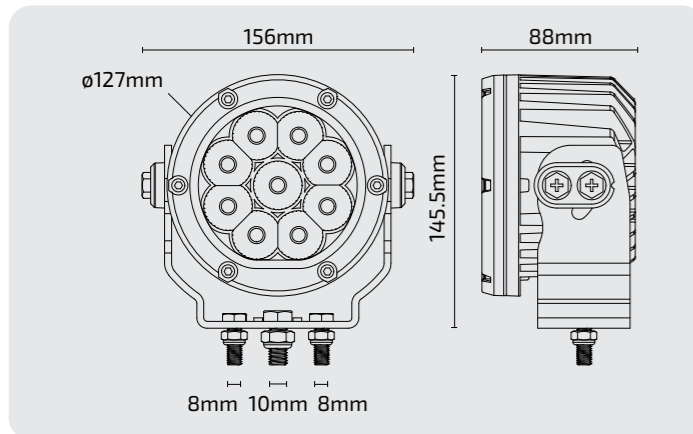
PART NUMBER  
**NX543**

### NX543 SPECIFICATIONS

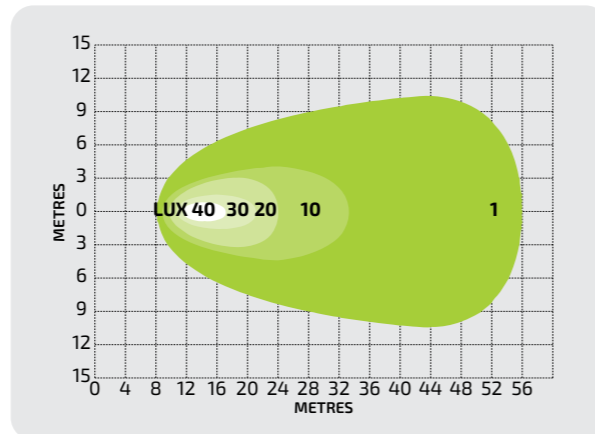
- ▶ Raw Lumens: 7,200
- ▶ Wattage: 90W
- ▶ Current Draw: 7.5A @ 12V and 3.75A @ 24V
- ▶ Weight: 1.5kg
- ▶ CISPR Rating: CISPR 25 Class 4
- ▶ Vibration Rating: 60g



### DIMENSIONS



### LUX PERFORMANCE



**7" x 4"**  
(178mm x 102mm)  
**100W**

**FLOOD BEAM**

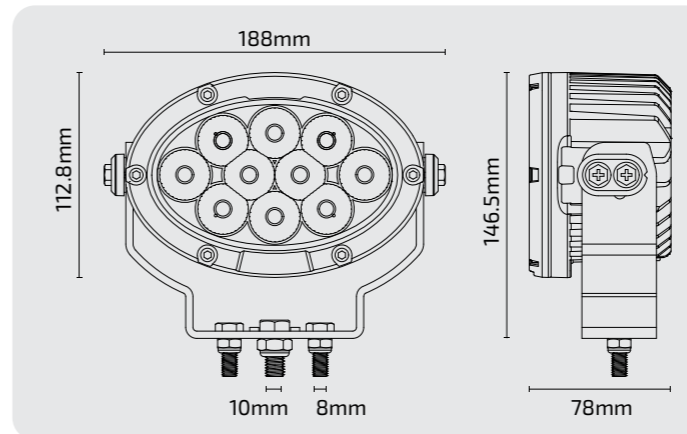
PART NUMBER  
**NX555**

### NX555 SPECIFICATIONS

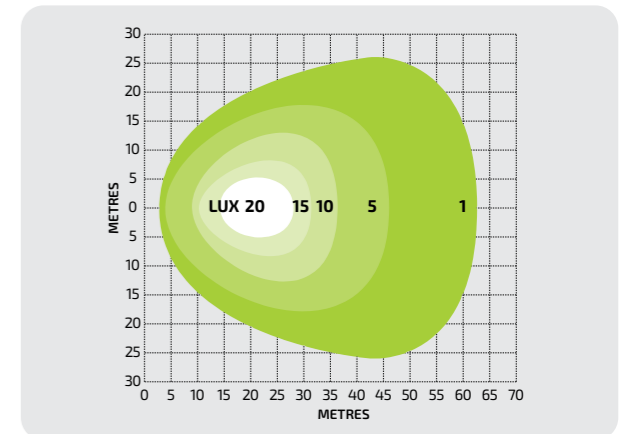
- ▶ Raw Lumens: 8,000
- ▶ Wattage: 100W
- ▶ Current Draw: 5.3A @ 12V and 2.7A @ 24V
- ▶ Weight: 1.94kg
- ▶ CISPR Rating: CISPR 25 Class 4
- ▶ Vibration Rating: 60g



### DIMENSIONS



### LUX PERFORMANCE



**3"** (76mm)  
**20W**

**FLOOD BEAM**

PART NUMBER  
**NX501**

### NX501 SPECIFICATIONS

- ▶ Raw Lumens: 1,495
- ▶ Wattage: 20W
- ▶ Current Draw: 1.5A @ 13.2V and 0.8A @ 24V
- ▶ Weight: 0.5kg
- ▶ CISPR Rating: CISPR 25 Class 4
- ▶ Vibration Rating: 60g

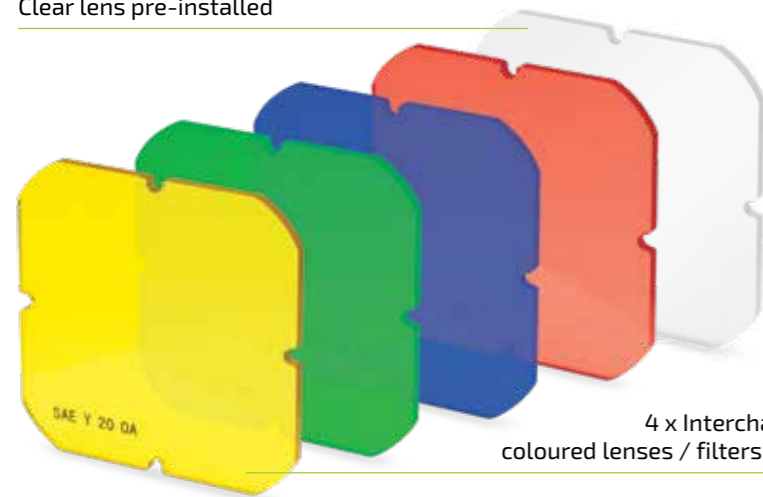


With 4 x Interchangeable coloured lenses, the NX501 can be used for a wide range of applications;

- Red light for astronomy and egg collecting
- Green light for night fishing
- Yellow light for snow mobiles
- Blue light for agricultural spraying

These are only a couple of examples but the possibilities are endless with such a versatile work light.

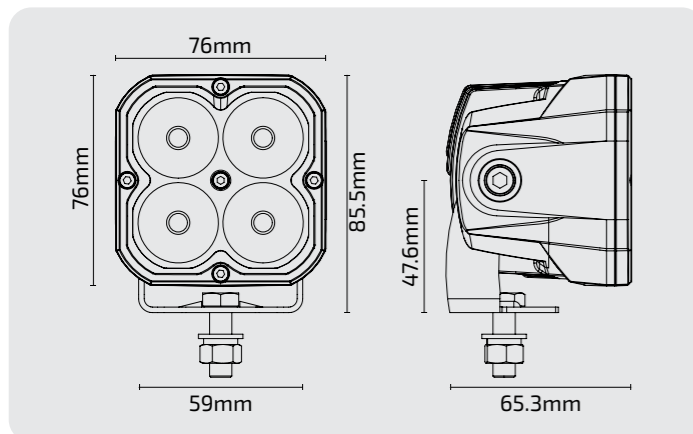
Clear lens pre-installed



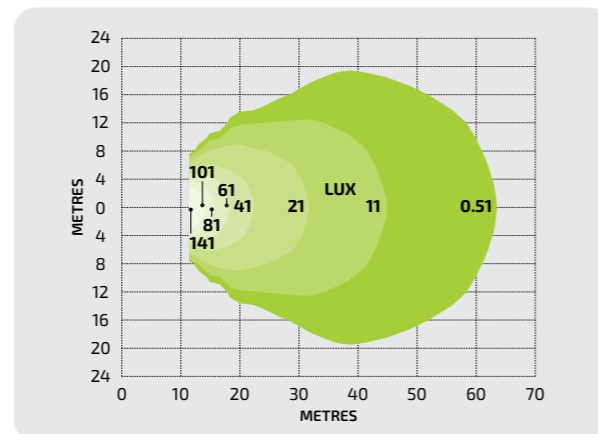
4 x Interchangeable coloured lenses / filters included



### DIMENSIONS



### LUX PERFORMANCE



**4"** (110mm)  
**45W**

**SPOT BEAM**

PART NUMBER  
**NX560**

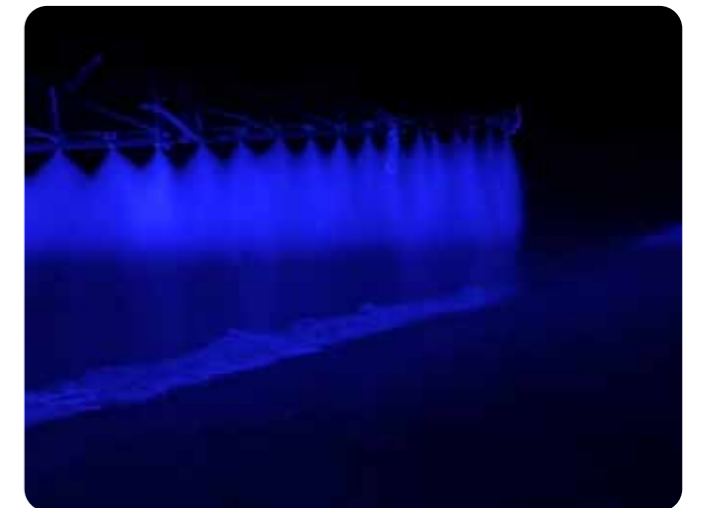
### NX560 SPECIFICATIONS

- ▶ Raw Lumens: 4,000
- ▶ Wattage: 45W
- ▶ Current Draw: 3.3A @ 12V and 1.5A @ 24V
- ▶ Weight: 1.18kg
- ▶ CISPR Rating: CISPR 25 Class 4
- ▶ Vibration Rating: 60g

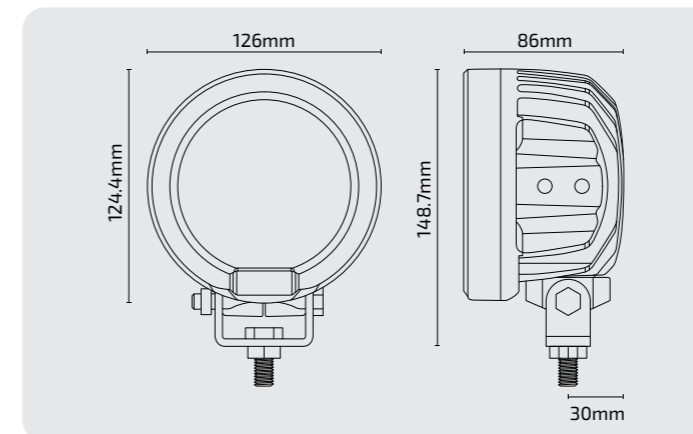


Designed for the busy worksite, the NX560 warning lamp is the perfect addition to any moving vehicle, creating a bright and vibrant blue spot on the ground to warn workers and pedestrians that there's a vehicle in motion in the area.

Another common use for the NX560 (shown below) is to illuminate nozzles on boom sprayers to highlight whether the nozzle is blocked or flowing freely. This can save farmers valuable hours when working at night.



### DIMENSIONS



### BEAM PERFORMANCE





For all enquiries  
Ph: +61 (03) 9336 2066  
[www.noxsolis.com](http://www.noxsolis.com)

**noxsolis**™