

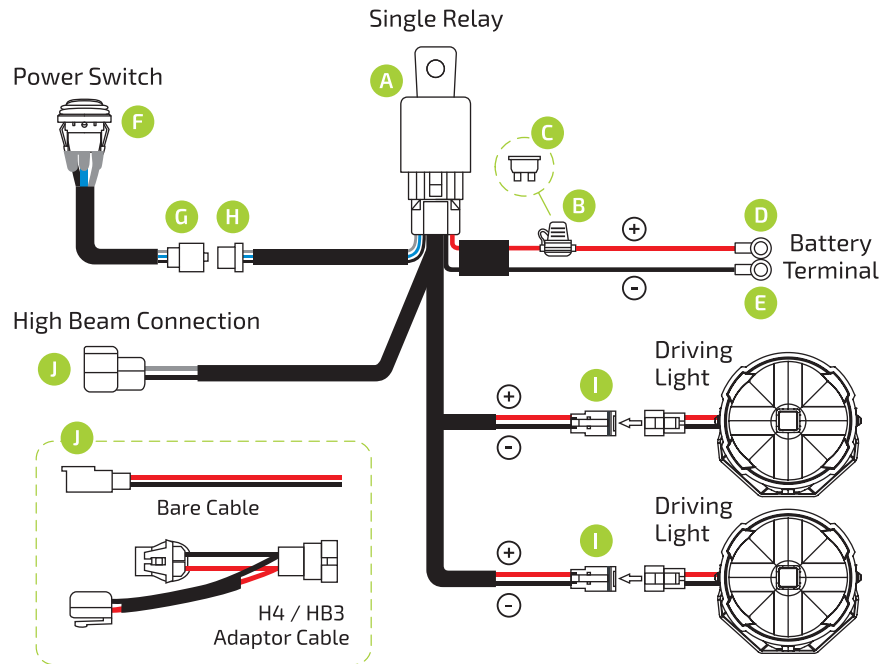
NX200 - SUITABLE FOR THE FOLLOWING DRIVING LIGHTS

NX7SL 7" SLIMLINE DRIVING LIGHTS
NX9SL 9" SLIMLINE DRIVING LIGHTS

NX720
NX920 NX925

DESCRIPTION

- A** Relay (4-Pin 12V DC 40A)
- B** Fuse Holder
- C** Blade Fuse (30A)
- D** Red Eyelet
- E** Black Eyelet
- F** 3-Pin Rocker Switch
- G** 3-Pin Female Connector
- H** 3-Pin Male Connector
- I** 2-Pin Deutsch DT Connector Socket
- J** High Beam Connection
Option 1: Bare Cable (into high beam circuit)
Option 2: H4 / HB3 Adaptor Cable



NX210 - SUITABLE FOR THE FOLLOWING LIGHT BARS

NX8 SINGLE ROW LIGHT BARS
NX8 DOUBLE ROW LIGHT BARS
NX8SL SLIMLINE LIGHT BARS

NX811 NX821 NX831 NX841
NX812 NX822 NX832
NX801 NX802

DESCRIPTION

- A** Relay (4-Pin 12V DC 40A)
- B** Fuse Holder
- C** Blade Fuse (15A)
- D** Red Eyelet
- E** Black Eyelet
- F** 3-Pin Rocker Switch
- G** 3-Pin Female Connector
- H** 3-Pin Male Connector
- I** 2-Pin Deutsch DT Connector Socket
- J** High Beam Connection
Option 1: Bare Cable (into high beam circuit)
Option 2: H4 / HB3 Adaptor Cable

