

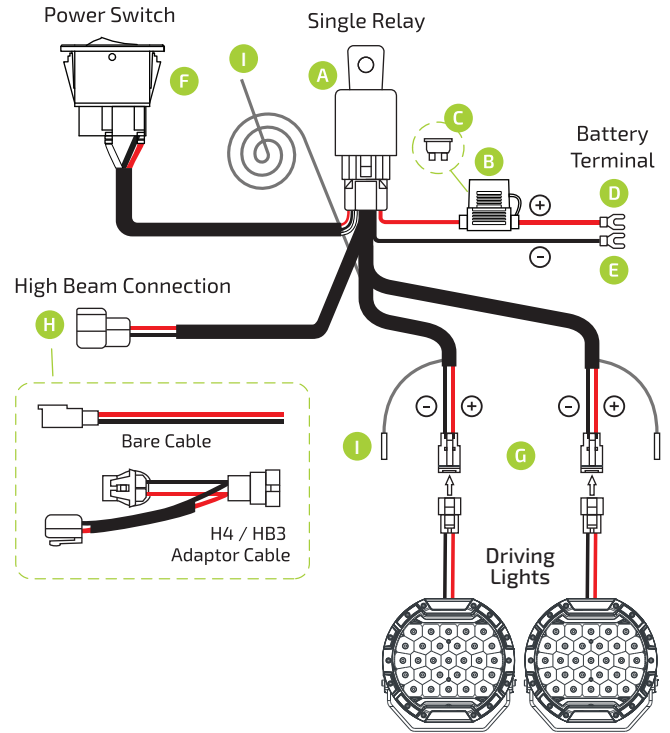
NX215 - SUITABLE FOR THE FOLLOWING DRIVING LIGHT

NX9 8.5" DRIVING LIGHT

NX930

DESCRIPTION

- A** Relay (4-Pin 12V or 24V DC 60A)
 - B** Fuse Holder
 - C** Blade Fuse (40A)
 - D** Red Eyelet
 - E** Black Eyelet
 - F** 4-Pin Rocker Switch (Pre-Installed)
 - G** 2-Pin Deutsch DT-P Connector Socket
 - H** High Beam Connection
- Option 1:** Bare Cable (into high beam circuit)
Option 2: H4 / HB3 Adaptor Cable
- I** 100cm of extended wire (18AWG) split into two male bullet connectors for front position wiring



NX220 - SUITABLE FOR THE FOLLOWING LIGHT BARS

NX8 SINGLE ROW LIGHT BARS
 NX8 DOUBLE ROW LIGHT BARS
 NX8SL SLIMLINE LIGHT BARS

NX851
 NX842 NX852
 NX803 NX804

DESCRIPTION

- A** Relay (4-Pin 12V or 24V DC 60A)
 - B** Fuse Holder
 - C** Blade Fuse (30A)
 - D** Red Eyelet
 - E** Black Eyelet
 - F** 4-Pin Rocker Switch (Pre-Installed)
 - G** 2-Pin Deutsch DT-P Connector Socket
 - H** High Beam Connection
- Option 1:** Bare Cable (into high beam circuit)
Option 2: H4 / HB3 Adaptor Cable

