



PREMIUM
QUALITY LED
LIGHTING

www.noxsolis.com

noxsolisTM



PREMIUM QUALITY LED LIGHTING

Noxsolis is an Australian brand specialising in premium quality LED lighting.

All products are designed to withstand the harsh Australian & Worldwide conditions through rigorous testing. Protection from water & dust ingress through to high levels of EMI protection, vibration testing UV protection ensure Noxsolis products are built to last & endure harsh conditions.

The parent company, Invision Sales, has been a leading supplier to the automotive, mining, agriculture and transport industries for over 20 years.

Australian Aftermarket LED Product Warranty

Noxsolis LED products come with a Limited Warranty against defects in materials, components and workmanship.

This Limited Warranty is not transferable and applies to the original installation of the noxsolis LED light as long as the original consumer/purchaser owns the vehicle. Please note that this warranty does not cover claims resulting from:

- ▶ Abuse, neglect and/or accidents
- ▶ Modifications and/or alterations
- ▶ Improper installation and/or use
- ▶ Chemicals and/or cleaners
- ▶ Voltage transients and/or spikes

In the unlikely event that you experience a problem that falls within the terms of the Limited Warranty, Noxsolis will, at its discretion, either replace the defective product, or refund the purchase price of the product.

To make a warranty claim, simply return the product (along with all of the factory-issued components and proof of purchase) to Noxsolis authorized dealer –where the product was originally purchased and they will assist you with completing the claim process.

Note: Noxsolis does not cover the expense for removal or transportation of product to be claimed under this warranty statement.

This aftermarket product warranty is exclusive. Noxsolis has no other liability or obligation related to products. No other warranties are made; either expressed or implied, including without limitation, any implied warranties of title, non-infringement, merchantability or fitness for a particular purpose.

Limited Warranty Period



Work Lights



LED lamps

Our goods come with guarantees that cannot be excluded under the Australian Consumer Law. You are entitled to a replacement or refund for a major failure and compensation for any other reasonably foreseeable loss or damage. You are also entitled to have the goods repaired or replaced if the goods fail to be of acceptable quality and the failure does not amount to a major failure.

CONTENTS

NX9 LED Driving Light 4–5

LED Slimline Driving Lights 6–9

NX8 LED Light Bar 10–15

Wiring Harness Kit 16

Number Plate Bracket 17

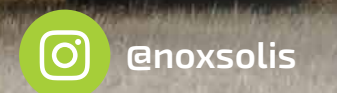
LED Daytime Running Light Kit 18

LED Headlight Conversion Kit 19

LED Work Lights 20–29

LED Specialty Work Lights 30–31

Visit our website for your nearest Dealer
noxsolis.com



NX9

LED DRIVING LIGHT

The NX9 driving light has been built from the ground up to comprehensively dominate in performance and style. Utilizing a traditional reflector system in conjunction with premium quality and precise LED chips allows the NX9 to stand out as a market leader.



WATER PROOF IP69K



MULTI VOLT 12-24V



LOW CURRENT DRAW



WHITE LIGHT 5700K



SHOCK & VIBRATION RESISTANT



UV PROTECTED LENS

- ▶ Current Draw: 3.9A @ 13.2V / 1.8A @ 24V
- ▶ Weight: 3.2kg

- ▶ Approved to R10 EMI (radio interference)
- ▶ Wiring harness not included

NX9

Driving Light - Pencil Beam



9" (220mm)
50W



Both the NX900 & NX910 come with a clear protective cover.

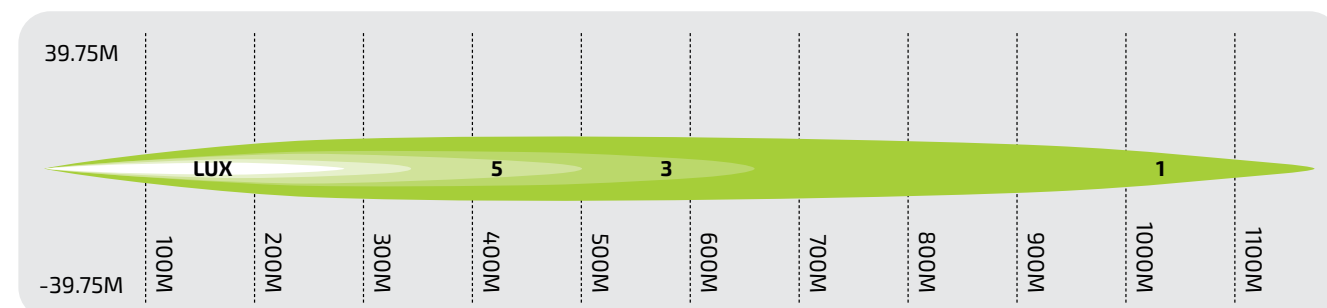


The 1150m pencil beam is ideal for highway driving.

PART NUMBER
NX900

RECOMMENDED WIRING HARNESS
NX200

LUX PERFORMANCE



NX9

Driving Light - Driving Beam ECE



9" (220mm)
50W

DIMENSIONS
W/H: 220mm round
D: 128mm

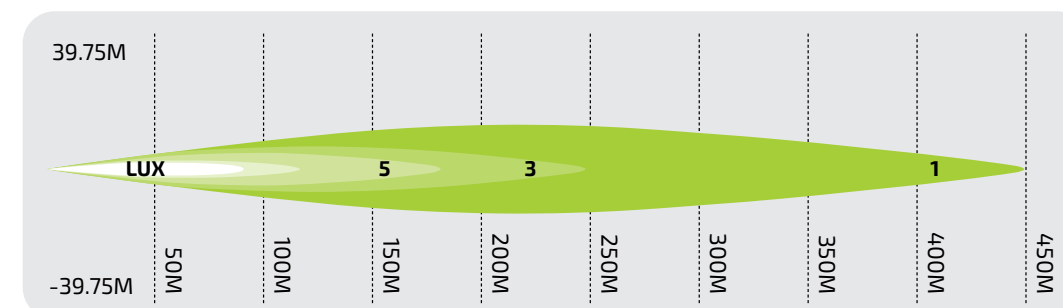


The 450m driving beam (ECE) is ideal for off road and highway use.

PART NUMBER
NX910

RECOMMENDED WIRING HARNESS
NX200

LUX PERFORMANCE



NX7SL

LED SLIMLINE DRIVING LIGHTS

The new SL Slimline range of LED driving lights are perfect for applications where mounting space is limited. A lot of modern bull bars are quite shallow and don't allow much space for deeper, more traditional sized driving lights.



WATER PROOF
IP68 & IP69K



MULTI VOLT
12-24V



UV PROTECTED LENS



WHITE LIGHT
5700K



SHOCK & VIBRATION RESISTANT

- ▶ Approved to R10 EMI (radio interference)
- ▶ Combo beam pattern giving fantastic distance and width
- ▶ Wiring harness not included



7" (178mm)
90W

900m combo beam – ideal for both highway and off-road driving

- ▶ 178mm / 7" round sizing
- ▶ Current Draw: 6.09A @ 13.8V / 3.5A @ 24V
- ▶ Weight: 1.78kg per lamp

DIMENSIONS

W/H: 178mm round
D: 80mm

PART NUMBER

(kit with 2 x Driving Lights)

NX720

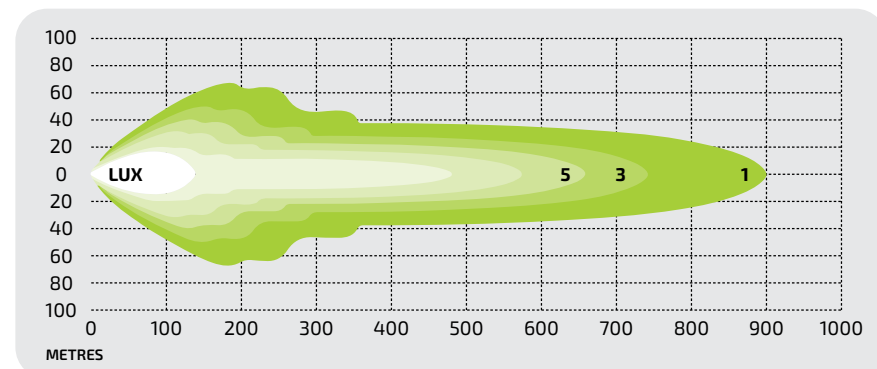
RECOMMENDED WIRING HARNESS

NX200



Total Depth: 80mm

LUX PERFORMANCE



Test conducted with two driving lights.



NX7SL 7" PROTECTIVE COVERS

Protective covers for the NX7SL LED Slimline Driving Light.

- ▶ Available in Clear or Black
- ▶ Pack contains 2 covers
- ▶ 1 Year Warranty



PART NUMBER

Black NX101

PART NUMBER

Clear NX100



NX9SL

LED SLIMLINE DRIVING LIGHTS

The new SL Slimline range of LED driving lights are perfect for applications where mounting space is limited. A lot of modern bull bars are quite shallow and don't allow much space for deeper, more traditional sized driving lights.



9" (228mm)
130W

1000m combo beam – ideal for both highway and off-road driving

- ▶ 228mm / 9" round sizing
- ▶ Current Draw: 8.33A @ 13.8V / 4.8A @ 24V
- ▶ Weight: 2.58kg per lamp

DIMENSIONS

W/H: 228mm round
D: 85mm

PART NUMBER

(kit with 2 x Driving Lights)
NX920

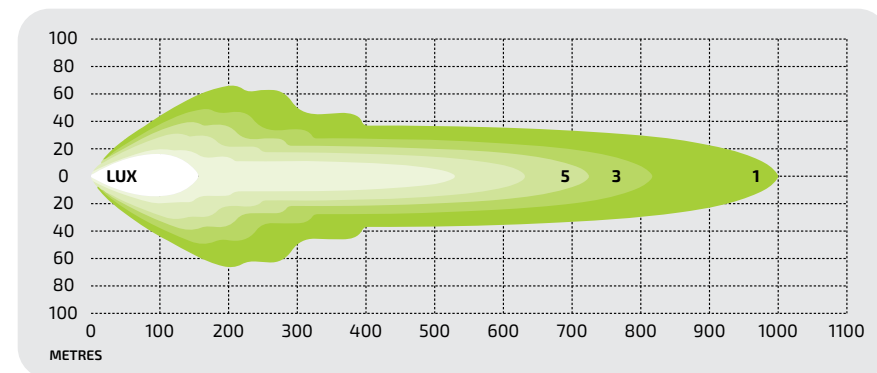
RECOMMENDED WIRING HARNESS

NX200



Total Depth: 85mm

LUX PERFORMANCE



Test conducted with two driving lights.



WATER PROOF
IP68 & IP69K



MULTI VOLT
12-24V



UV PROTECTED LENS



WHITE LIGHT
5700K



SHOCK & VIBRATION RESISTANT

- ▶ Approved to R10 EMI (radio interference)
- ▶ Combo beam pattern giving fantastic distance and width
- ▶ Wiring harness not included



NX9SL 9" PROTECTIVE COVERS

Protective covers for the NX9SL LED Slimline Driving Light.

- ▶ Available in Clear or Black
- ▶ Pack contains 2 covers
- ▶ 1 Year Warranty



PART NUMBER

Black NX103

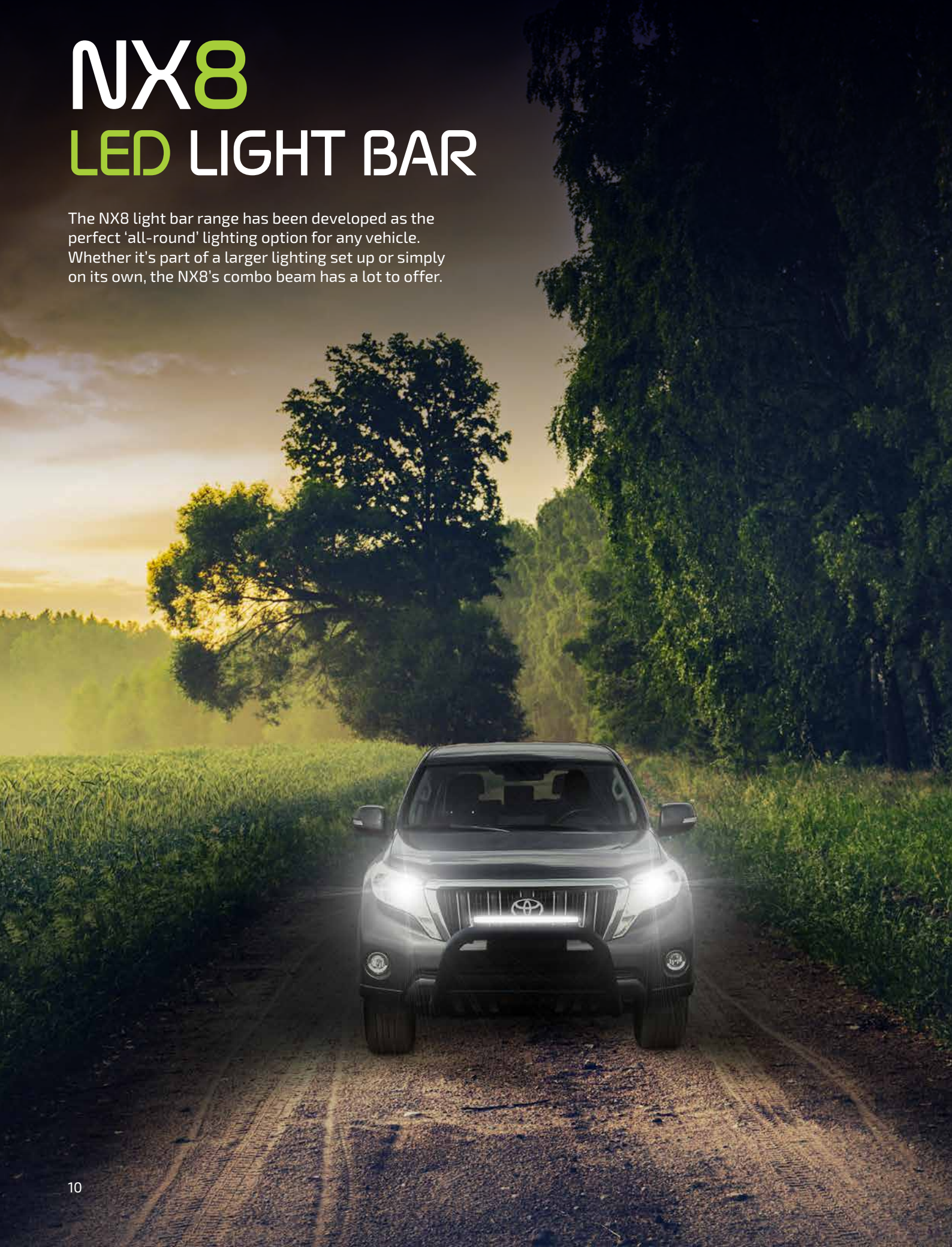
PART NUMBER

Clear NX102



NX8 LED LIGHT BAR

The NX8 light bar range has been developed as the perfect 'all-round' lighting option for any vehicle. Whether it's part of a larger lighting set up or simply on its own, the NX8's combo beam has a lot to offer.



WATER PROOF
IP67 & IP69K



MULTI VOLT
12-24V



UV PROTECTED LENS



WHITE LIGHT
5700K



SHOCK & VIBRATION RESISTANT

- ▶ Includes all heavy duty mounting hardware (side & bottom mount brackets)
- ▶ Powerful & precise Osram OSOLON® LEDs
- ▶ Clean, bright white light 5700K
- ▶ Waterproof IP67 & IP69K
- ▶ Shock & vibration resistant
- ▶ Approved to R10 EMI (radio Interference)

KIT CONTAINS

- ▶ 1 x LED Light Bar
- ▶ For 14", 22" & 32" Bars: 2 x Side Brackets & 2 x Bottom Brackets (Mounting hardware included)
- ▶ For 42" & 52" Bars: 2 x Side Brackets & 3 x Bottom Brackets (Mounting hardware included)

Note: A wiring harness is not included in this kit but if required, are available as a separate accessory



Sizes include 14", 22", 32", 42" and an extra large 52" all in single or double row.

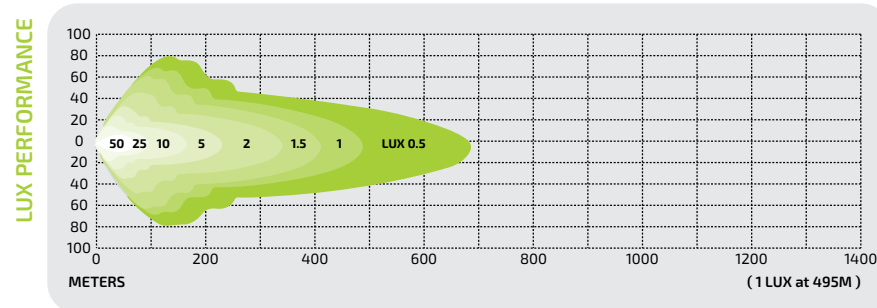


NX8 LED LIGHT BAR Single Row Combo Beam

14" (351mm)
48W

PART NUMBER
NX811

RECOMMENDED WIRING HARNESS
NX210



SINGLE ROW SHARED DIMENSIONS

HEIGHT	DEPTH
Bar Only: 48mm	49.9mm
With side brackets: 67.1mm	
With bottom brackets: 63mm	

NX811 SPECIFICATIONS

- ▶ Raw Lumens: 3165
- ▶ Wattage: 48W
- ▶ Current Draw: 3.26A @ 13.8V and 1.89A @ 24V
- ▶ Electrical Circuit: Single
- ▶ Weight: 0.7kg

NX811 DIMENSIONS

- LENGTH**
- Bar Only: 351mm (also the length using bottom brackets)
 - With side brackets: 403mm

NX811 CONNECTION

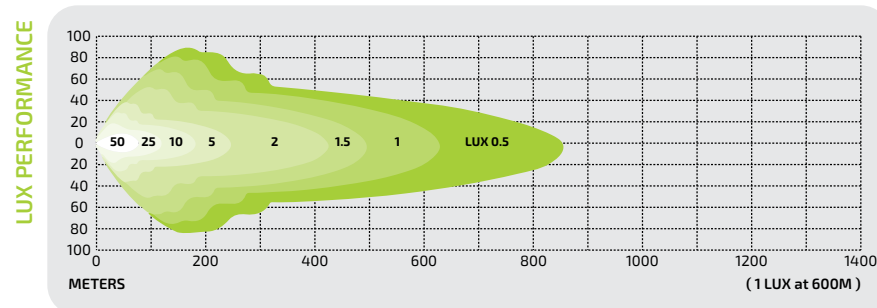
- ▶ 2 Pin Deutsch DT



22" (555mm)
80W

PART NUMBER
NX821

RECOMMENDED WIRING HARNESS
NX210



NX821 SPECIFICATIONS

- ▶ Raw Lumens: 5188
- ▶ Wattage: 80W
- ▶ Current Draw: 6.67A @ 13.8V and 3.85A @ 24V
- ▶ Electrical Circuit: Single
- ▶ Weight: 1.04kg

NX821 DIMENSIONS

- LENGTH**
- Bar Only: 555mm (also the length using bottom brackets)
 - With side brackets: 609mm

NX821 CONNECTION

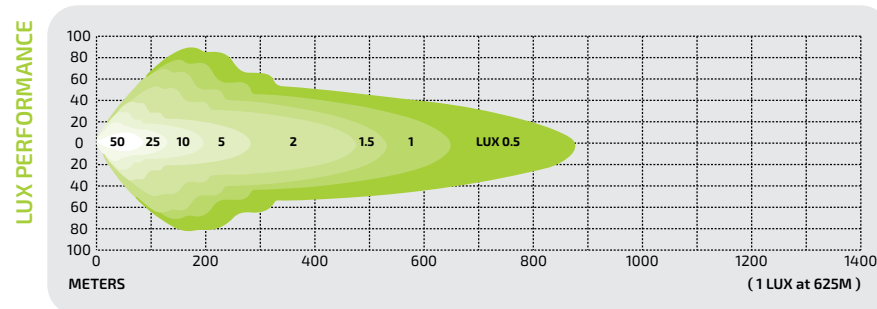
- ▶ 2 Pin Deutsch DT



32" (810mm)
120W

PART NUMBER
NX831

RECOMMENDED WIRING HARNESS
NX210



NX831 SPECIFICATIONS

- ▶ Raw Lumens: 7126
- ▶ Wattage: 120W
- ▶ Current Draw: 7.75A @ 13.8V and 4.46A @ 24V
- ▶ Electrical Circuit: Dual
- ▶ Weight: 1.52kg

NX831 DIMENSIONS

- LENGTH**
- Bar Only: 810mm (also the length using bottom brackets)
 - With side brackets: 864mm

NX831 CONNECTION

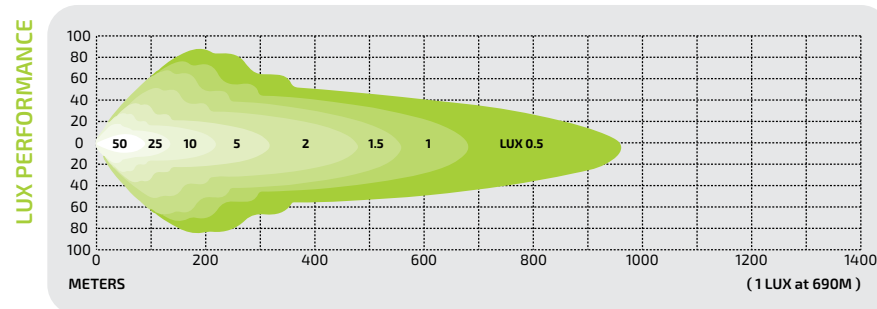
- ▶ 2 Pin Deutsch DT



42" (1065mm)
160W

PART NUMBER
NX841

RECOMMENDED WIRING HARNESS
NX210



NX841 SPECIFICATIONS

- ▶ Raw Lumens: 9473
- ▶ Wattage: 160W
- ▶ Current Draw: 10.22A @ 13.8V and 5.9A @ 24V
- ▶ Electrical Circuit: Dual
- ▶ Weight: 1.96kg

NX841 DIMENSIONS

- LENGTH**
- Bar Only: 1065mm (also the length using bottom brackets)
 - With side brackets: 1119mm

NX841 CONNECTION

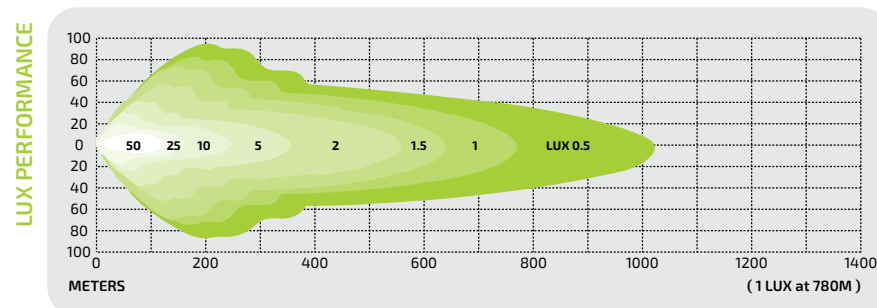
- ▶ 2 Pin Deutsch DT



52" (1320mm)
200W

PART NUMBER
NX851

RECOMMENDED WIRING HARNESS
NX220



NX851 SPECIFICATIONS

- ▶ Raw Lumens: 12623
- ▶ Wattage: 200W
- ▶ Current Draw: 14.71A @ 13.8V and 8.47A @ 24V
- ▶ Electrical Circuit: Triple
- ▶ Weight: 2.44kg

NX851 DIMENSIONS

- LENGTH**
- Bar Only: 1320mm (also the length using bottom brackets)
 - With side brackets: 1374mm

NX851 CONNECTION

- ▶ 2 Pin Deutsch DT-P

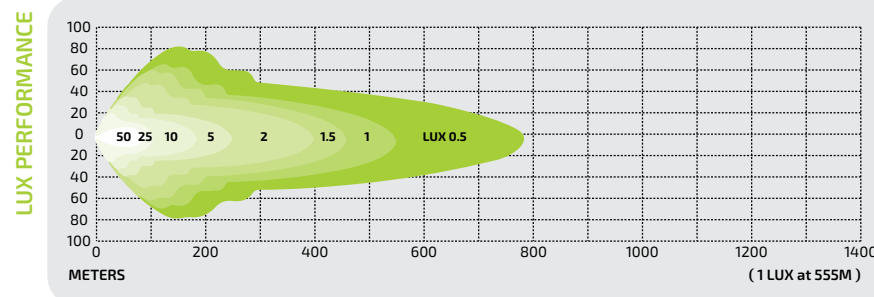


NX8 LED LIGHT BAR Double Row Combo Beam

14" (361mm)
96W

PART NUMBER
NX812

RECOMMENDED WIRING HARNESS
NX210



DOUBLE ROW SHARED DIMENSIONS

HEIGHT	DEPTH
Bar Only: 73.4mm	55.9mm
With side brackets: 91.7mm	
With bottom brackets: 90mm	

NX812 SPECIFICATIONS

- ▶ Raw Lumens: 4653
- ▶ Wattage: 96W
- ▶ Current Draw: 4.06A @ 13.8V and 2.36A @ 24V
- ▶ Electrical Circuit: Single
- ▶ Weight: 1.0kg

NX812 DIMENSIONS

- LENGTH**
- Bar Only: 361mm (also the length using bottom brackets)
 - With side brackets: 420mm

NX812 CONNECTION

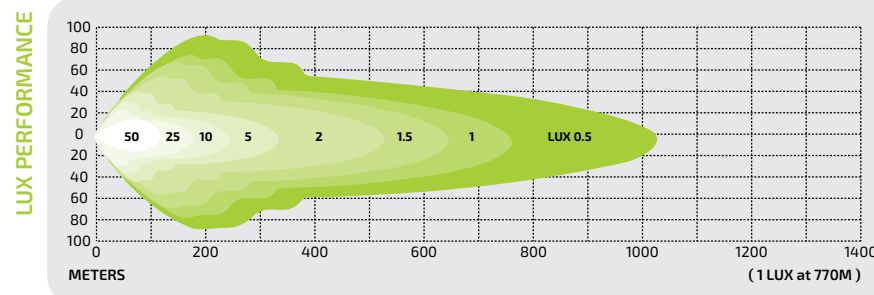
- ▶ 2 Pin Deutsch DT



22" (565mm)
160W

PART NUMBER
NX822

RECOMMENDED WIRING HARNESS
NX210



NX822 SPECIFICATIONS

- ▶ Raw Lumens: 10133
- ▶ Wattage: 160W
- ▶ Current Draw: 8.91A @ 13.8V and 5.14A @ 24V
- ▶ Electrical Circuit: Dual
- ▶ Weight: 1.56kg

NX822 DIMENSIONS

- LENGTH**
- Bar Only: 565mm (also the length using bottom brackets)
 - With side brackets: 624mm

NX822 CONNECTION

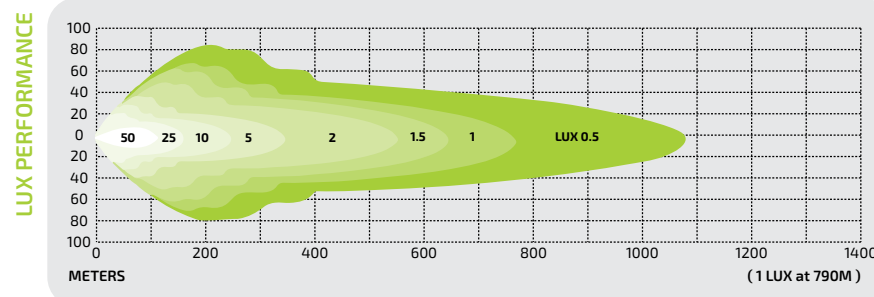
- ▶ 2 Pin Deutsch DT



32" (820mm)
240W

PART NUMBER
NX832

RECOMMENDED WIRING HARNESS
NX210



NX832 SPECIFICATIONS

- ▶ Raw Lumens: 11973
- ▶ Wattage: 240W
- ▶ Current Draw: 11.23A @ 13.8V and 6.45A @ 24V
- ▶ Electrical Circuit: Dual
- ▶ Weight: 2.05kg

NX832 DIMENSIONS

- LENGTH**
- Bar Only: 820mm (also the length using bottom brackets)
 - With side brackets: 879mm

NX832 CONNECTION

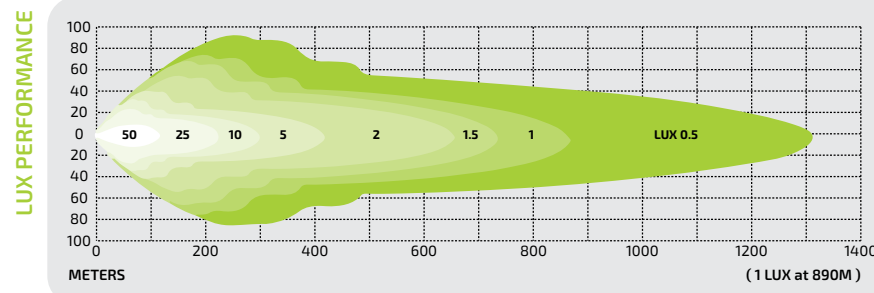
- ▶ 2 Pin Deutsch DT



42" (1075mm)
320W

PART NUMBER
NX842

RECOMMENDED WIRING HARNESS
NX220



NX842 SPECIFICATIONS

- ▶ Raw Lumens: 17236
- ▶ Wattage: 320W
- ▶ Current Draw: 15.94A @ 13.8V and 9.16A @ 24V
- ▶ Electrical Circuit: Quad
- ▶ Weight: 2.73kg

NX842 DIMENSIONS

- LENGTH**
- Bar Only: 1075mm (also the length using bottom brackets)
 - With side brackets: 1134mm

NX842 CONNECTION

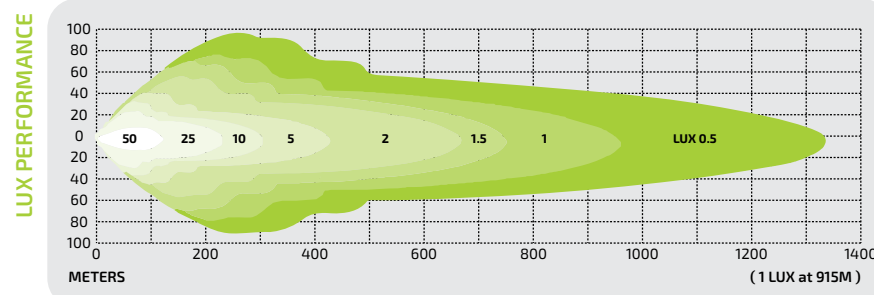
- ▶ 2 Pin Deutsch DT-P



52" (1330mm)
400W

PART NUMBER
NX852

RECOMMENDED WIRING HARNESS
NX220



NX852 SPECIFICATIONS

- ▶ Raw Lumens: 21375
- ▶ Wattage: 400W
- ▶ Current Draw: 19.93A @ 13.8V and 11.45A @ 24V
- ▶ Electrical Circuit: Quad
- ▶ Weight: 3.33kg

NX852 DIMENSIONS

- LENGTH**
- Bar Only: 1330mm (also the length using bottom brackets)
 - With side brackets: 1389mm

NX852 CONNECTION

- ▶ 2 Pin Deutsch DT-P



NX2 WIRING HARNESS RANGE



These plug & play wiring harness kits make it easy to connect driving lights or light bars to your vehicle. High beam connections include HB3, H4 or bare wires and the harnesses are also suitable for positive and negatively switched vehicles. 12V & 24V relays are included for different voltage systems.

Kits for 1 x Light Bar

Standard



PART NUMBER
NX210

LIGHT CONNECTOR
2-Pin DT

DT Plug

Heavy Duty



PART NUMBER
NX220

LIGHT CONNECTOR
2-Pin DT-P
Suits higher wattage bars

DT-P Plug

Kit for 2 x Driving Lights



PART NUMBER
NX200

LIGHT CONNECTOR
2-Pin DT x 2

DT Plug

Wiring Accessories

2-Pin Deutsch Connection
with 150mm wire tails (DT-Compatible)

PART NUMBER
NX225



2 Metre Extension Cable
with female to male 2-Pin Deutsch Connector (DT-Compatible)

PART NUMBER
NX226



1.3 Metre Splitter Extension Cable
with Female to 2 x male 2-Pin Deutsch Connectors (DT-Compatible)

PART NUMBER
NX227



NUMBER PLATE BRACKET



Number plate mounting bracket. Suitable for NX8 Light bars and Slimline Driving lights*

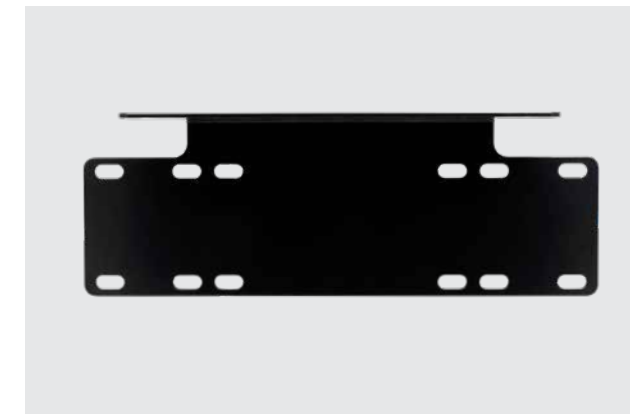
DIMENSIONS

L: 370mm
H: 130mm
D: 70mm

PART NUMBER

NX250

- ▶ Multiple mounting holes for both the number plate and products
- ▶ Heavy duty steel construction
- ▶ Mounting hardware not included



Universal Bracket



with NX7SL 7" LED Slimline Driving Lights



with NX8 22" Single Row LED Light Bar



with NX8 22" Double Row LED Light Bar

* If mounting the NX250 number plate bracket to a standard plastic bumper bar, the NX920 kit is not recommended due to the weight.



LED DAYTIME RUNNING LIGHT KIT



WHITE LIGHT
6000K



MULTI VOLT
12-24V

It has never been easier to increase road safety with a set of Daytime Running Lights, with their bright, white light output, you'll stand out from the rest of the traffic even during the day.

NX300 125mm Daytime Running Light Kit

DIMENSIONS

W: 125mm
H: 23mm
D: 31mm

PART NUMBER
NX300



NX310 164mm Daytime Running Light Kit

DIMENSIONS

W: 164mm
H: 18mm
D: 35mm

PART NUMBER
NX310



WIRING HARNESS KIT INCLUDED

A complete plug & play wiring harness kit is included in both NX300 and NX310



LED HEADLIGHT CONVERSION KIT



WHITE LIGHT
6000K



MULTI VOLT
12-24V

The Noxsolis LED Headlight Conversion Kit is the perfect headlight bulb replacement for an easy install / upgrade.

This 'EasyFit' solution means it features a driverless power cable so there is very little to be fit inside the headlight (only 10cm of cable!) and a heat-sink size compatible with most vehicles on the market.

- ▶ 3600 Lumen Light Output (1800 per bulb)
- ▶ Inbuilt electronic driver

* May require CANbus harness
* Not approved for ADR, ECE or DOT

LED Headlight Conversion Kit H1, H3, H4, H7, H11, HB3, HB4



PART NUMBERS

- H1: NX01EF
- H3: NX03EF
- H4: NX04EF
- H7: NX07EF
- H11: NX11EF
- HB3: NX05EF
- HB4: NX06EF

NX5 LED WORK LIGHTS



WATER
PROOF
IP69K



MULTI
VOLT
12-24V



UV
PROTECTED
LENS



WHITE
LIGHT
5700K



SHOCK &
VIBRATION
RESISTANT

ADDITIONAL FEATURES

- ▶ Includes all installation hardware
- ▶ Heavy Duty, stainless steel mounting bracket
- ▶ Polycarbonate Lens
- ▶ DT Connector with fly lead



3.5" (88mm) 40W FLOOD BEAM

PART NUMBER
NX500

LUMEN
OUTPUT
3400Lm

VOLTAGE
12-24V

VIBRATION
RATED
60g

CISPR
RATING
CISPR 25
Class 4 &
ECE R10 EMI

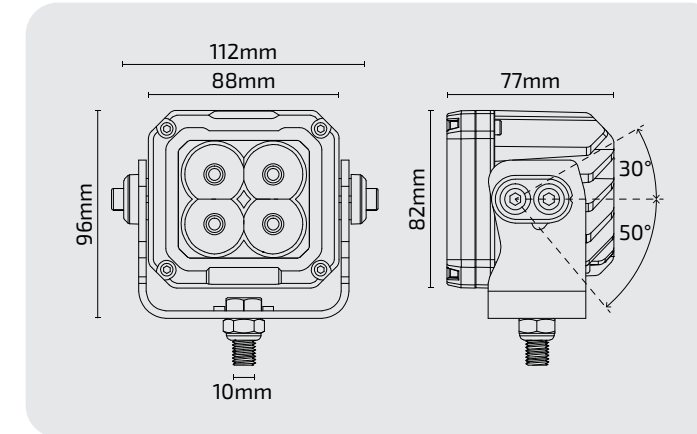
WATER
PROOF
IP69K

WEIGHT
1.2kg

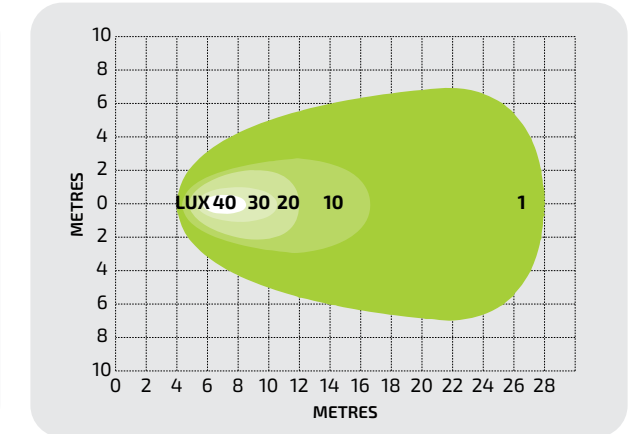
CURRENT
DRAW
3.3A @ 12V
1.6A @ 24V



DIMENSIONS



LUX PERFORMANCE



3.5" (88mm) 40W SPOT BEAM

PART NUMBER
NX500S

LUMEN
OUTPUT
3400Lm

VOLTAGE
12-24V

VIBRATION
RATED
60g

CISPR
RATING
CISPR 25
Class 4 &
ECE R10 EMI

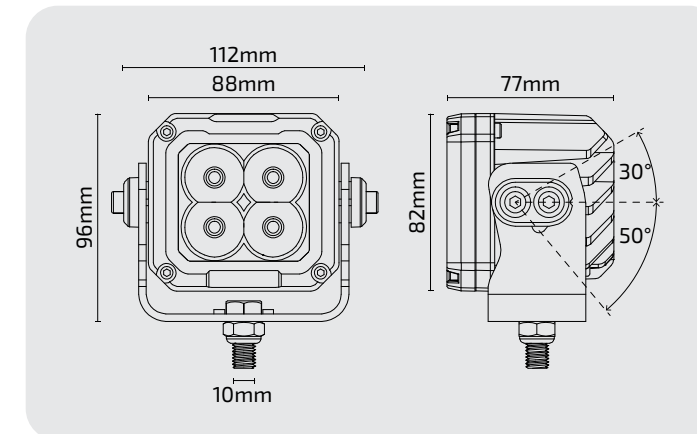
WATER
PROOF
IP69K

WEIGHT
1.2kg

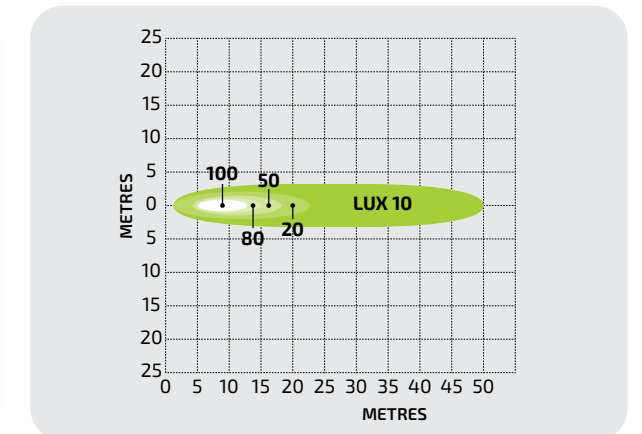
CURRENT
DRAW
3.3A @ 12V
1.6A @ 24V



DIMENSIONS



LUX PERFORMANCE



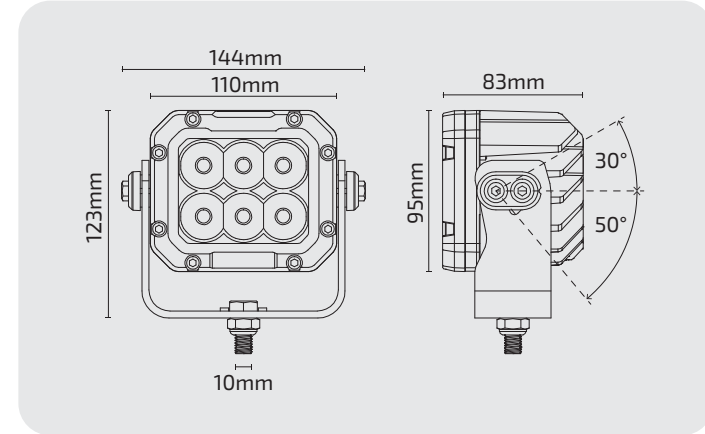
4" (110mm)
60W
FLOOD BEAM

PART NUMBER
NX503

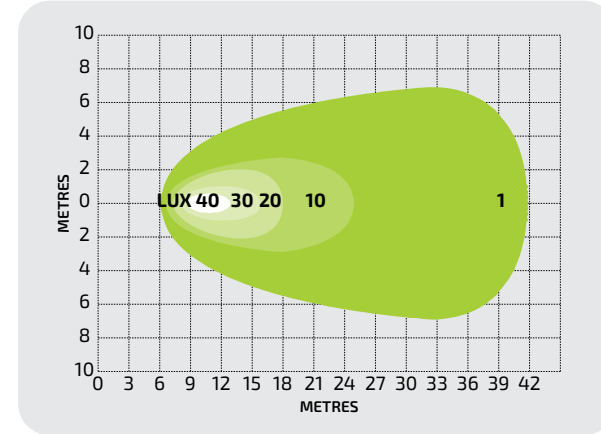
LUMEN OUTPUT 5100Lm	WATER PROOF IP69K
VOLTAGE 12-24V	WEIGHT 1.6kg
VIBRATION RATED 60g	CURRENT DRAW 5A @ 12V 2.5A @ 24V
CISPR RATING CISPR 25 Class 4 & ECE R10 EMI	



DIMENSIONS



LUX PERFORMANCE



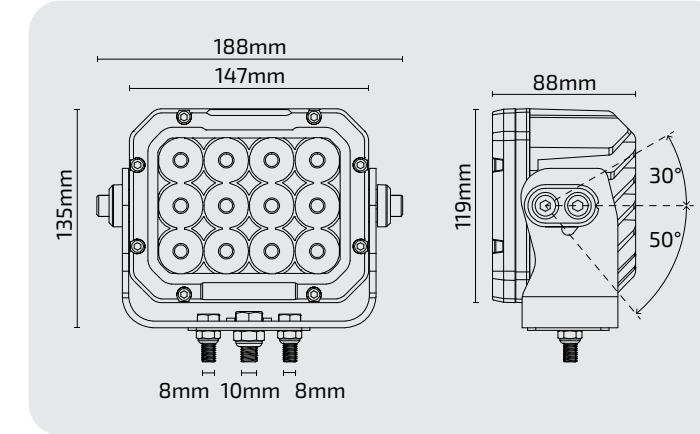
6" (147mm)
120W
FLOOD BEAM

PART NUMBER
NX507

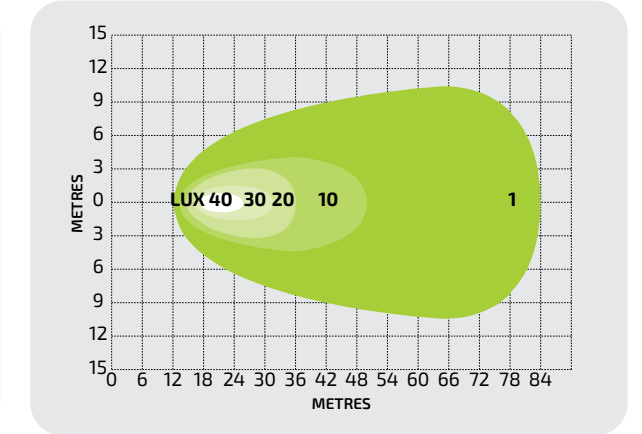
LUMEN OUTPUT 10200Lm	WATER PROOF IP69K
VOLTAGE 12-24V	WEIGHT 2.65kg
VIBRATION RATED 60g	CURRENT DRAW 10A @ 12V 5A @ 24V
CISPR RATING CISPR 25 Class 4 & ECE R10 EMI	



DIMENSIONS



LUX PERFORMANCE



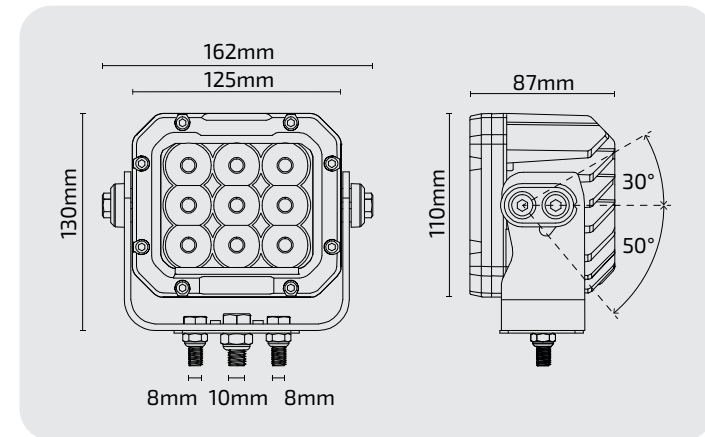
5" (125mm)
90W
FLOOD BEAM

PART NUMBER
NX505

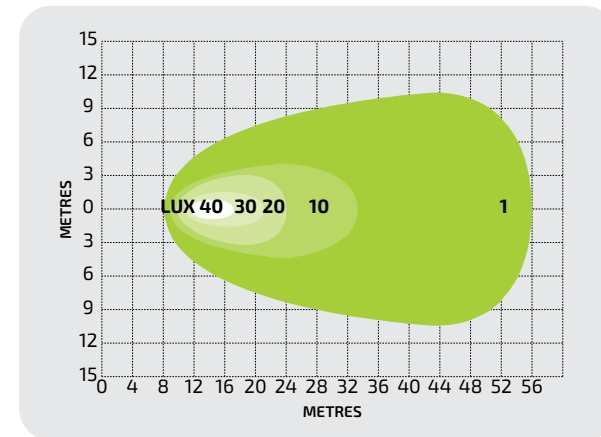
LUMEN OUTPUT 7650Lm	WATER PROOF IP69K
VOLTAGE 12-24V	WEIGHT 2.2kg
VIBRATION RATED 60g	CURRENT DRAW 7.5A @ 12V 3.75A @ 24V
CISPR RATING CISPR 25 Class 4 & ECE R10 EMI	



DIMENSIONS



LUX PERFORMANCE



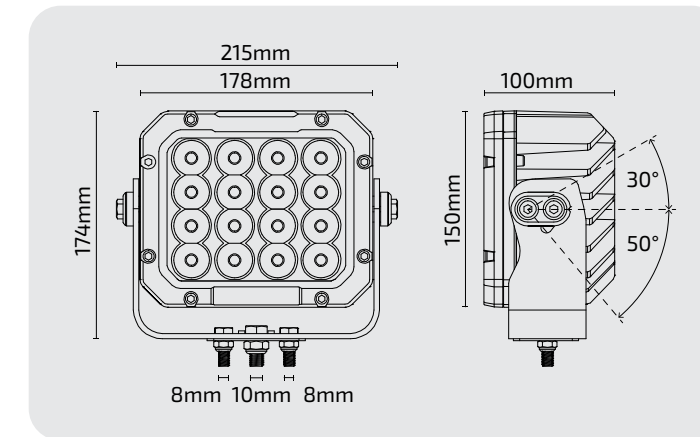
7" (178mm)
160W
FLOOD BEAM

PART NUMBER
NX510

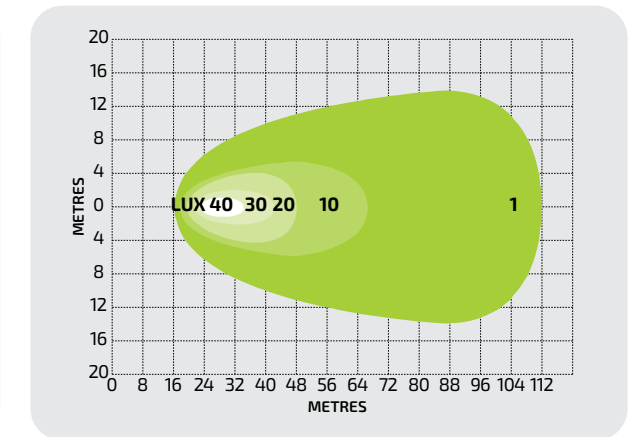
LUMEN OUTPUT 13600Lm	WATER PROOF IP69K
VOLTAGE 12-24V	WEIGHT 4.05kg
VIBRATION RATED 60g	CURRENT DRAW 13.3A @ 12V 6.6A @ 24V
CISPR RATING CISPR 25 Class 4 & ECE R10 EMI	



DIMENSIONS



LUX PERFORMANCE



3.7" x 2.5"

(95mm x 63mm)

30W

FLOOD BEAM

PART NUMBER
NX513

LUMEN OUTPUT
2400Lm

VOLTAGE
12-24V

VIBRATION RATED
60g

CISPR RATING
CISPR 25
Class 4 &
ECE R10 EMI

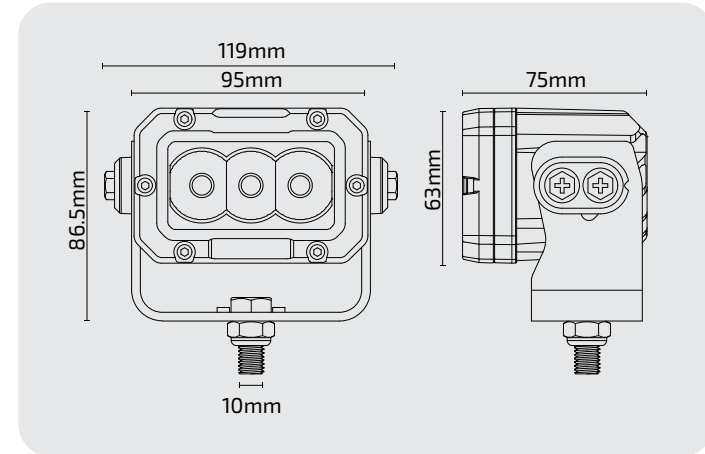
WATER PROOF
IP69K

WEIGHT
1.0kg

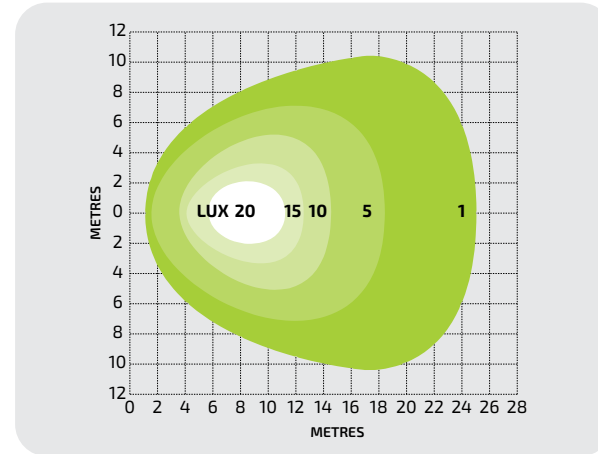
CURRENT DRAW
2.5A @ 12V
1.25A @ 24V



DIMENSIONS



LUX PERFORMANCE



5.3" x 4"

(135mm x 97mm)

80W

FLOOD BEAM

PART NUMBER
NX515

LUMEN OUTPUT
5700Lm

VOLTAGE
12-24V

VIBRATION RATED
60g

CISPR RATING
CISPR 25
Class 4 &
ECE R10 EMI

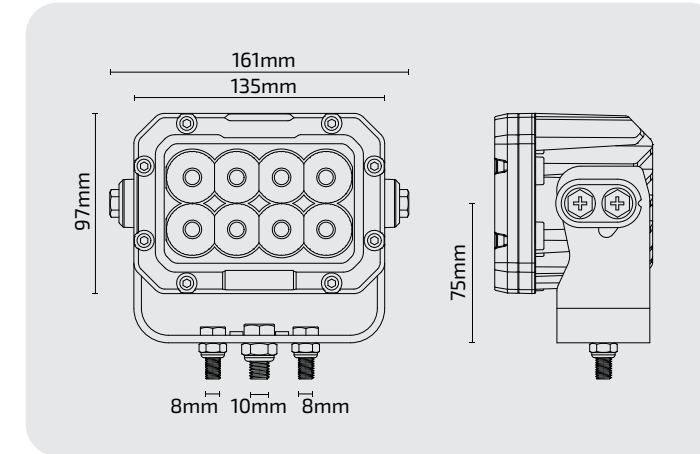
WATER PROOF
IP69K

WEIGHT
1.8kg

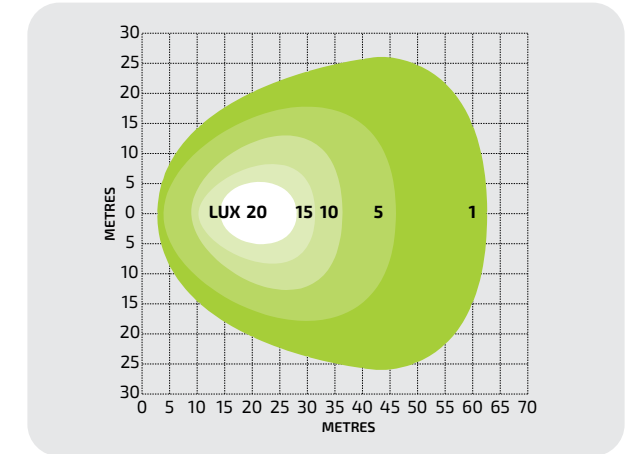
CURRENT DRAW
6.6A @ 12V
3.3A @ 24V



DIMENSIONS



LUX PERFORMANCE



4" x 3"

(110mm x 80mm)

50W

FLOOD BEAM

PART NUMBER
NX514

LUMEN OUTPUT
4250Lm

VOLTAGE
12-24V

VIBRATION RATED
60g

CISPR RATING
CISPR 25
Class 4 &
ECE R10 EMI

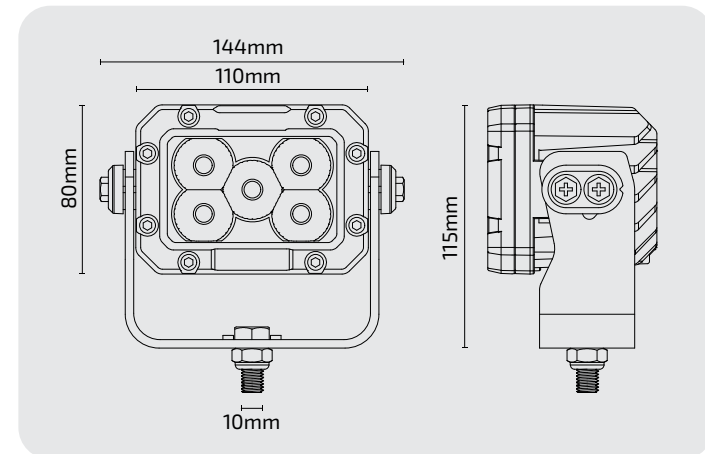
WATER PROOF
IP69K

WEIGHT
1.4kg

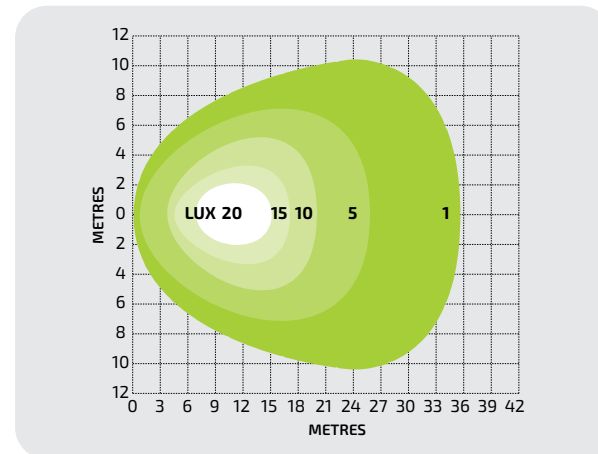
CURRENT DRAW
4.1A @ 12V
2A @ 24V



DIMENSIONS



LUX PERFORMANCE

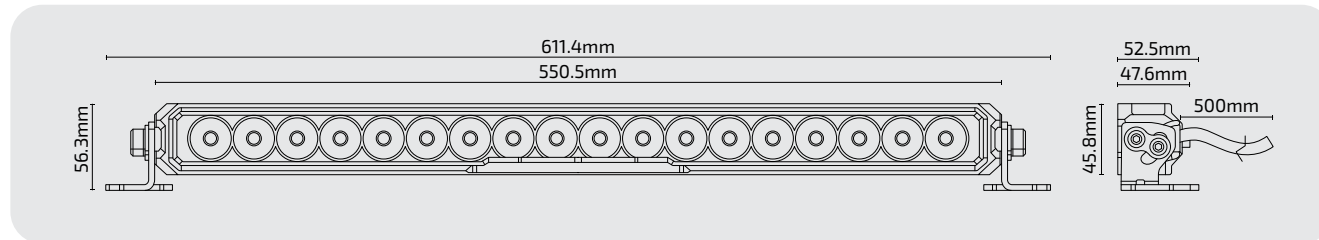


20" (550mm)
50W
FLOOD BEAM

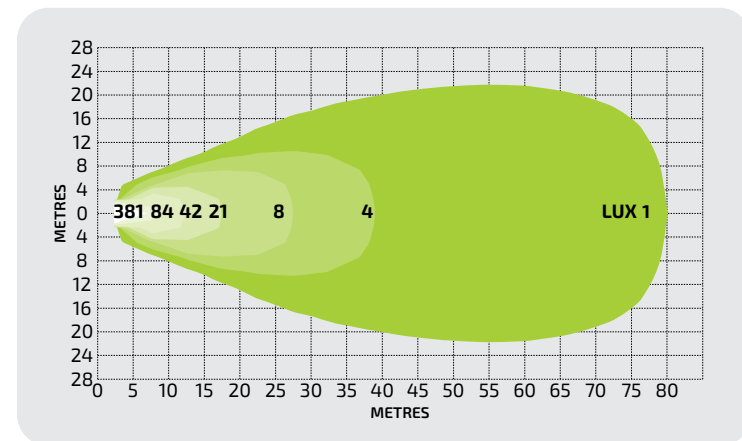


PART NUMBER
NX518

DIMENSIONS



LUX PERFORMANCE



LUMEN OUTPUT
4800Lm

WATER PROOF
IP69K

VOLTAGE
12-24V

WEIGHT
1.4kg

CISPR RATING
CISPR25
Class 3 &
ECE R10 EMI

CURRENT DRAW
3.83A @ 12V
1.92A @ 24V

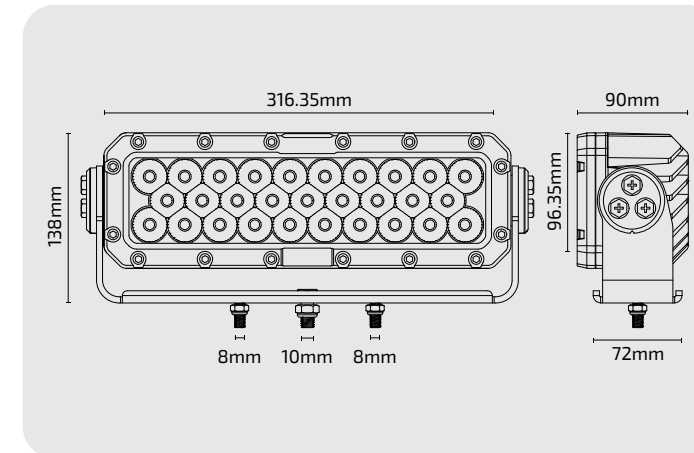


12.5" × 4"
(316mm × 96mm)
290W
FLOOD BEAM

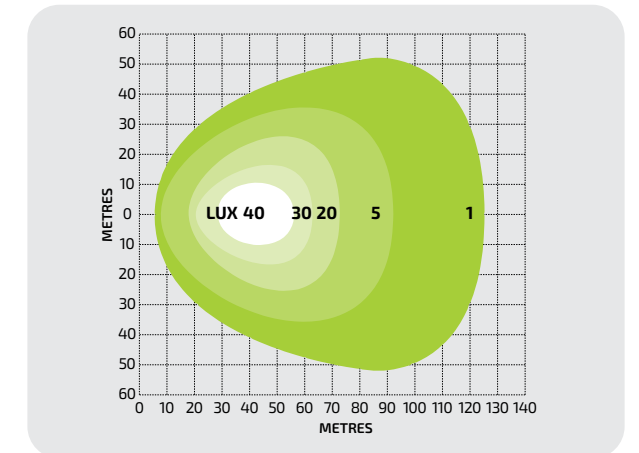


PART NUMBER
NX520

DIMENSIONS



LUX PERFORMANCE



LUMEN OUTPUT
23200Lm

WATER PROOF
IP69K

VOLTAGE
12-24V

WEIGHT
5.6kg

VIBRATION RATED
60g

CURRENT DRAW
24A @ 12V
12A @ 24V

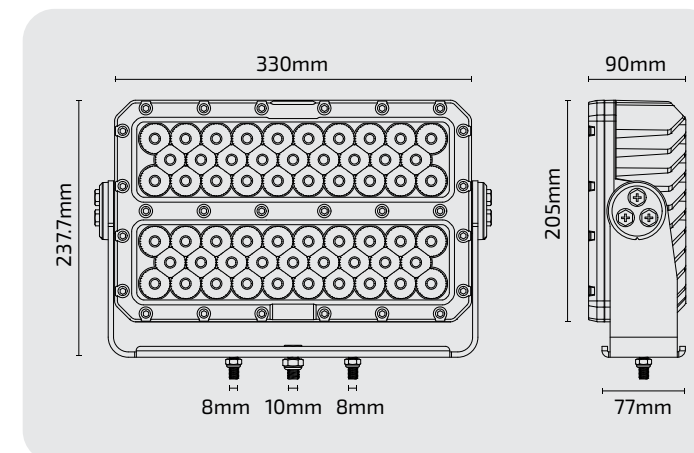
CISPR RATING
CISPR 25
Class 4 &
ECE R10 EMI

13" × 8"
(330mm × 205mm)
580W
FLOOD BEAM

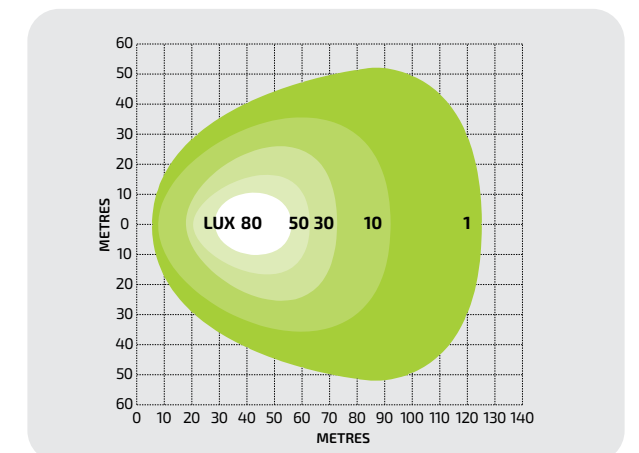


PART NUMBER
NX525

DIMENSIONS



LUX PERFORMANCE



LUMEN OUTPUT
46400Lm

WATER PROOF
IP69K

VOLTAGE
12-24V

WEIGHT
9.7kg

VIBRATION RATED
60g

CURRENT DRAW
48.3A @ 12V
24.2A @ 24V

CISPR RATING
CISPR 25
Class 4 &
ECE R10 EMI

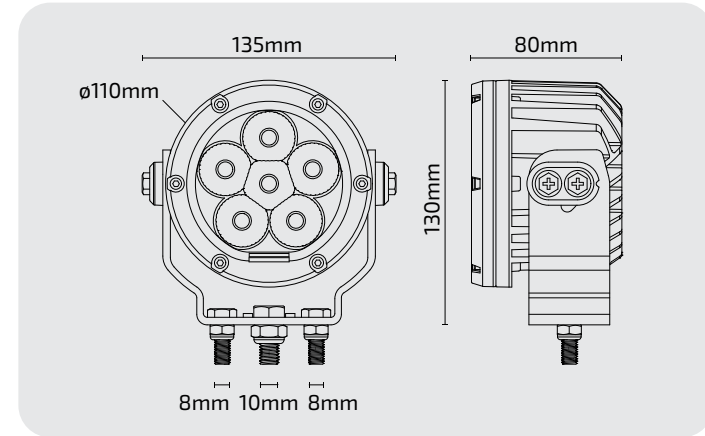
4" (110mm)
60W
FLOOD BEAM

PART NUMBER
NX540

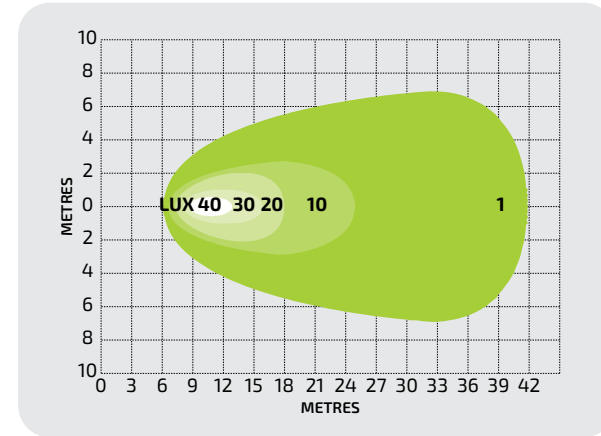
LUMEN OUTPUT 4800Lm	WATER PROOF IP69K
VOLTAGE 12-24V	WEIGHT 1.1kg
VIBRATION RATED 60g	CURRENT DRAW 5A @ 12V 2.5A @ 24V
CISPR RATING CISPR 25 Class 4 & ECE R10 EMI	



DIMENSIONS



LUX PERFORMANCE



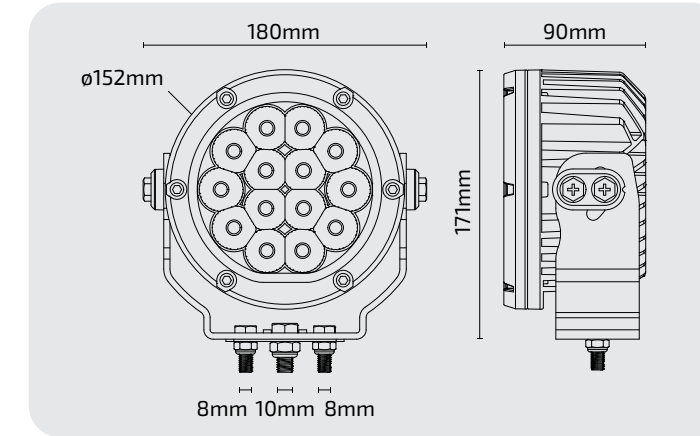
6" (152mm)
140W
FLOOD BEAM

PART NUMBER
NX545

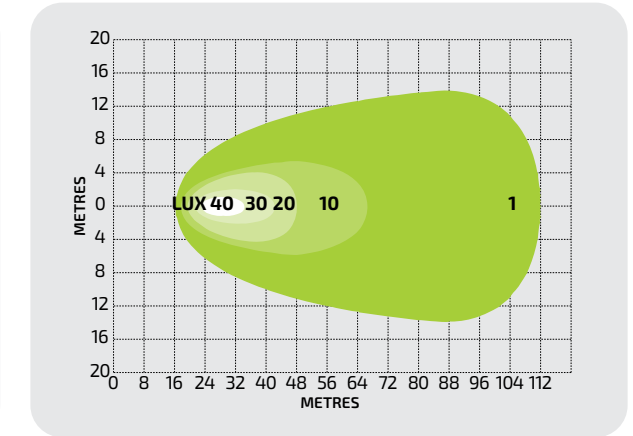
LUMEN OUTPUT 11200Lm	WATER PROOF IP69K
VOLTAGE 12-24V	WEIGHT 2.6kg
VIBRATION RATED 60g	CURRENT DRAW 11.6A @ 12V 5.8A @ 24V
CISPR RATING CISPR 25 Class 4 & ECE R10 EMI	



DIMENSIONS



LUX PERFORMANCE



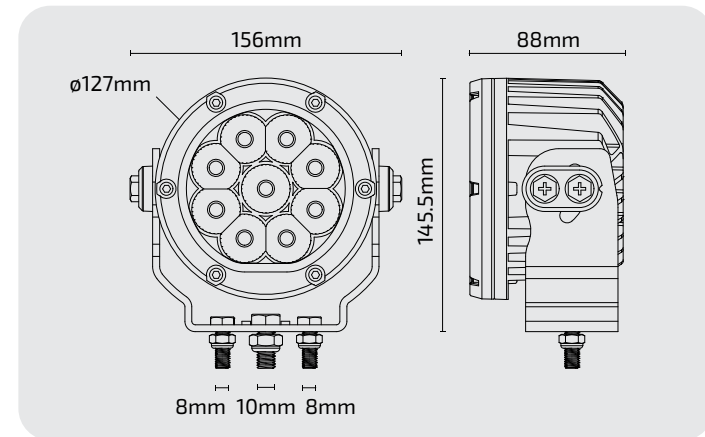
5" (127mm)
90W
FLOOD BEAM

PART NUMBER
NX543

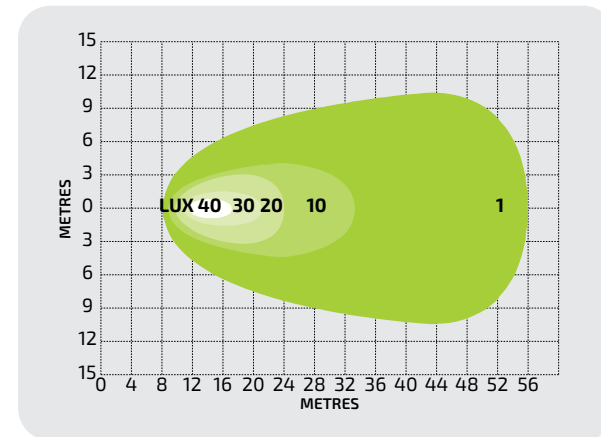
LUMEN OUTPUT 7200Lm	WATER PROOF IP69K
VOLTAGE 12-24V	WEIGHT 1.5kg
VIBRATION RATED 60g	CURRENT DRAW 7.5A @ 12V 3.75A @ 24V
CISPR RATING CISPR 25 Class 4 & ECE R10 EMI	



DIMENSIONS



LUX PERFORMANCE



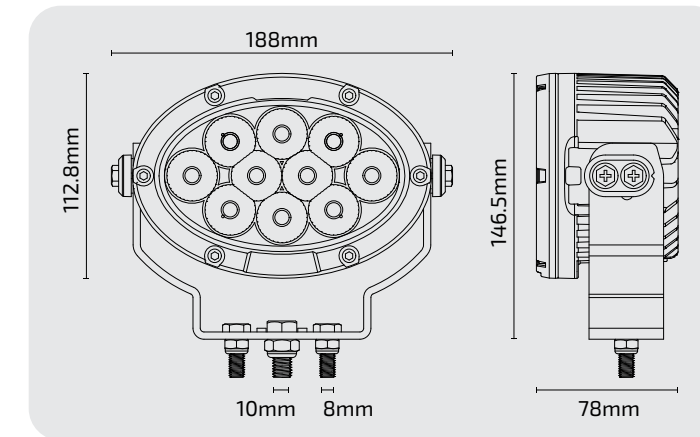
7" x 4" (178mm x 102mm)
100W
FLOOD BEAM

PART NUMBER
NX555

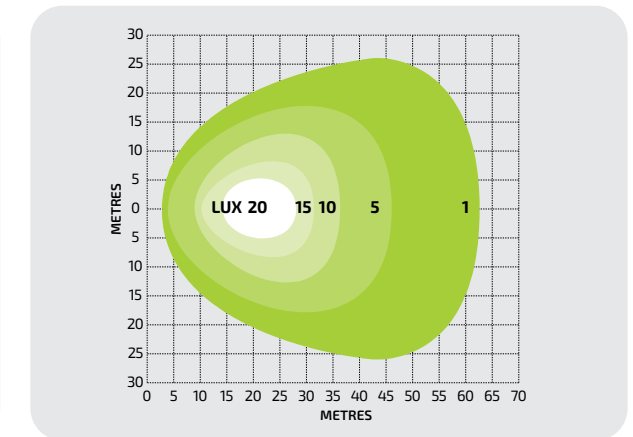
LUMEN OUTPUT 8000Lm	WATER PROOF IP69K
VOLTAGE 12-24V	WEIGHT 1.94kg
VIBRATION RATED 60g	CURRENT DRAW 5.3A @ 12V 2.7A @ 24V
CISPR RATING CISPR 25 Class 4 & ECE R10 EMI	



DIMENSIONS



LUX PERFORMANCE



COLOURED LENSES

3" (76mm)
20W
FLOOD BEAM

PART NUMBER
NX501

LUMEN OUTPUT 1495Lm	WATER PROOF IP69K
VOLTAGE 12-24V	WEIGHT 0.5kg
VIBRATION RATED 60g	CURRENT DRAW 1.5A @ 13.2V 0.8A @ 24V
CISPR RATING CISPR 25 Class 4 & ECE R10 EMI	



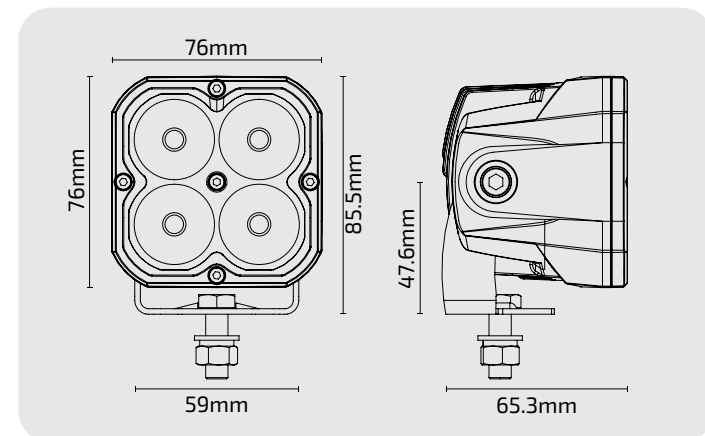
Clear Filter



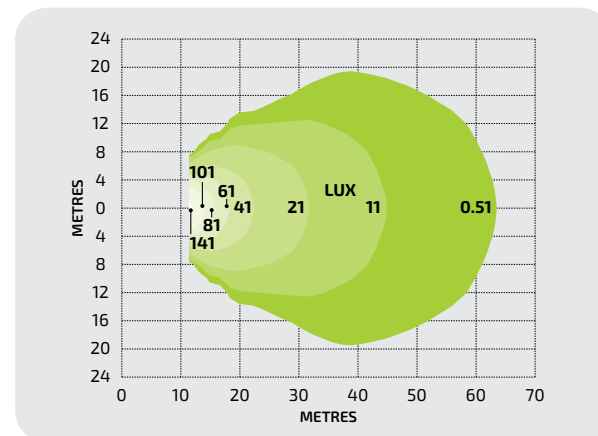
4 x Interchangeable Coloured Lenses / Filters



DIMENSIONS



LUX PERFORMANCE

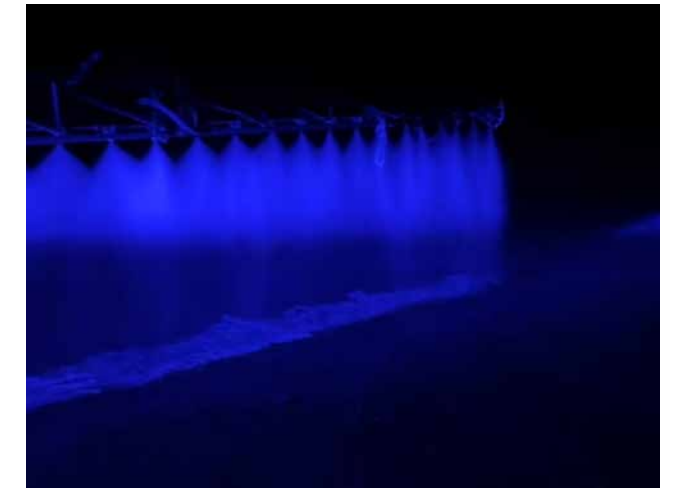


BLUE SPOT WARNING / SPRAY JET

4" (110mm)
45W
SPOT BEAM

PART NUMBER
NX560

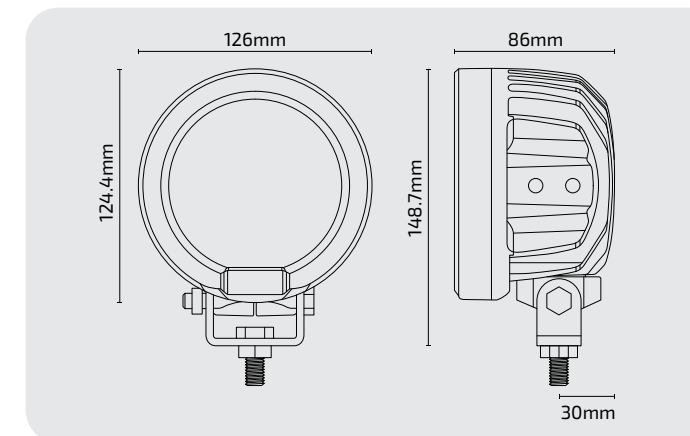
LUMEN OUTPUT 4000Lm	WATER PROOF IP69K
VOLTAGE 12-24V	WEIGHT 1.18kg
VIBRATION RATED 60g	CURRENT DRAW 3.3A @ 12V 1.5A @ 24V
CISPR RATING CISPR 25 Class 4 & ECE R10 EMI	



Designed for the busy worksite, the NX560 warning lamp is the perfect addition to any moving vehicle, creating a bright and vibrant blue spot on the ground to warn workers and pedestrians that there's a vehicle in motion in the area.

Another common use for the NX560 (shown above) is to illuminate nozzles on boom sprayers to highlight whether the nozzle is blocked or flowing freely. This can save farmers valuable hours when working at night.

DIMENSIONS



BEAM PERFORMANCE



For all enquiries
Ph: +61 (03) 9336 2066
www.noxsolis.com

noxsolisTM